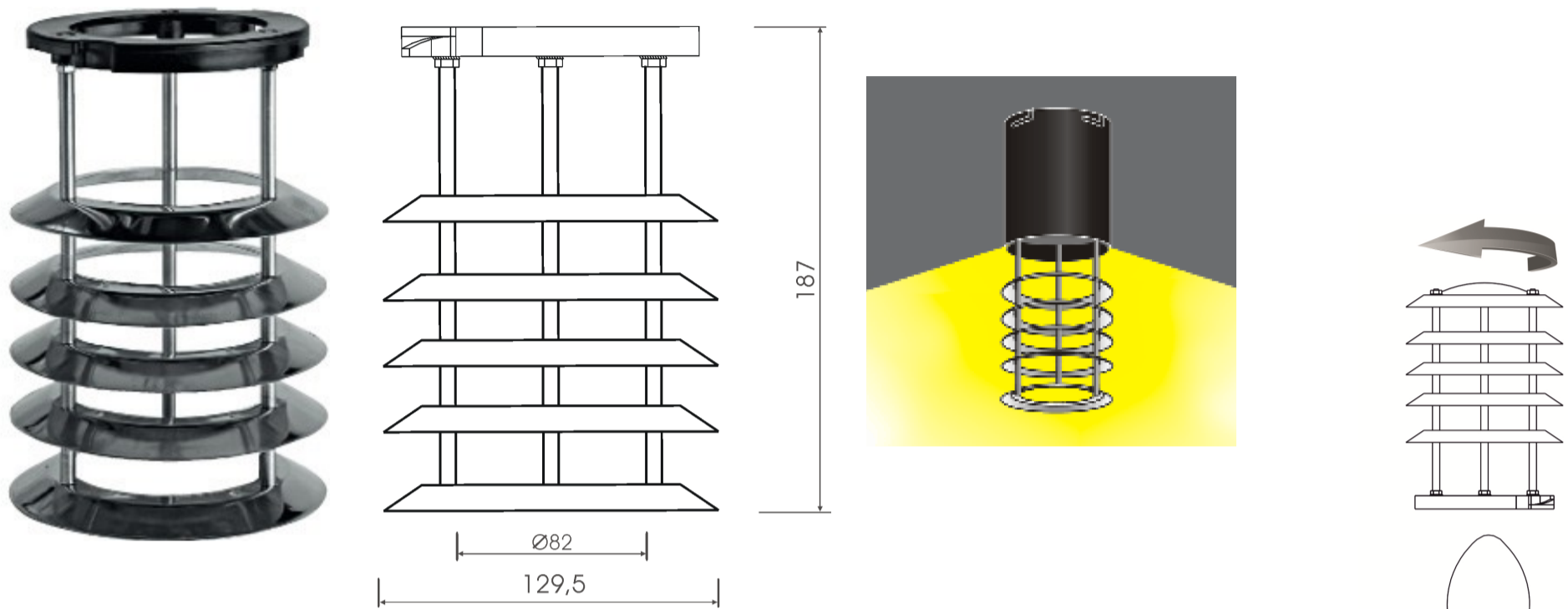
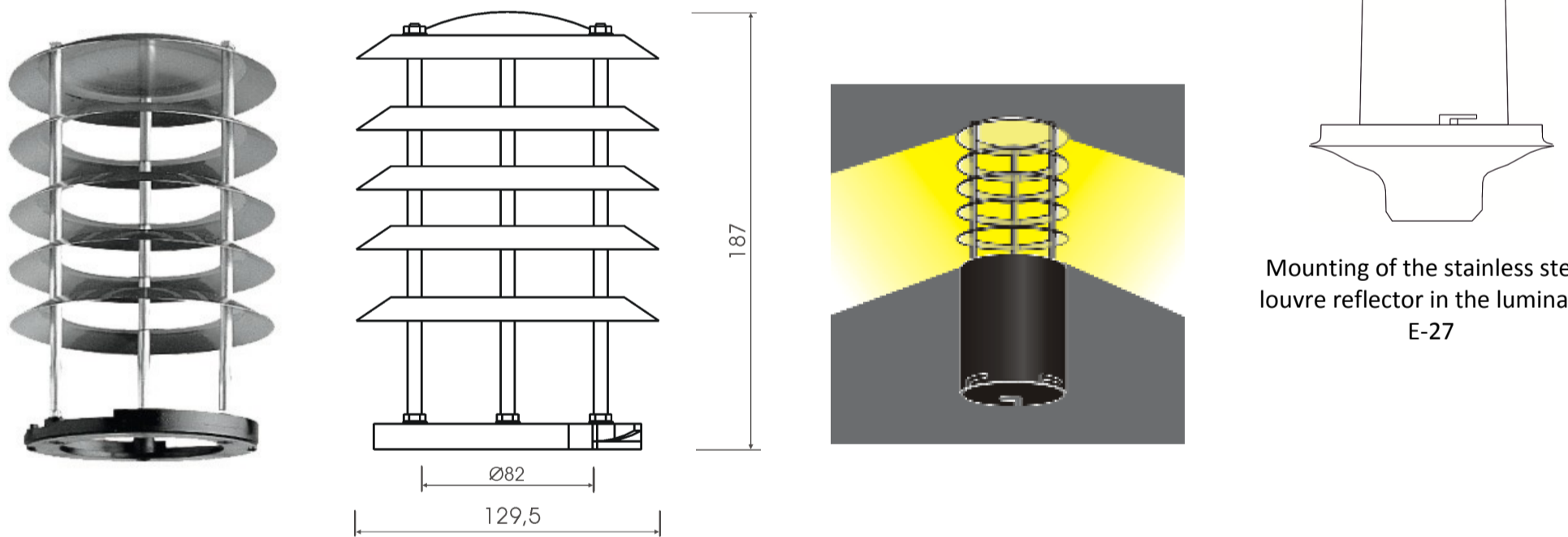


# Small stainless steel louvre reflector



Small stainless steel louvre reflector downwards



Mounting of the stainless steel louvre reflector in the luminaire E-27

Small stainless steel louvre reflector upwards

## Technical data

Stainless steel louvre reflector	code	Luminaire type	Lamp holder type	Weight [kg]	Unit volume [m <sup>3</sup> ]
Small stainless steel louvre reflector mounted upwards	911126	OP, OPA-1	E-27	0,29	0,004
Small stainless steel louvre reflector mounted downwards	911127	OP, OPA, OW	E-27	0,3	0,004