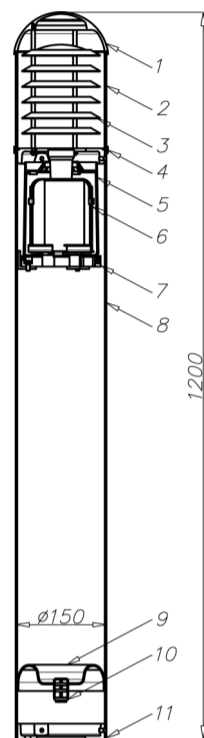


SAP 1200 aluminium bollard



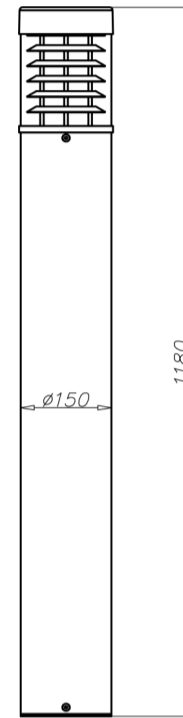
SAP 1200



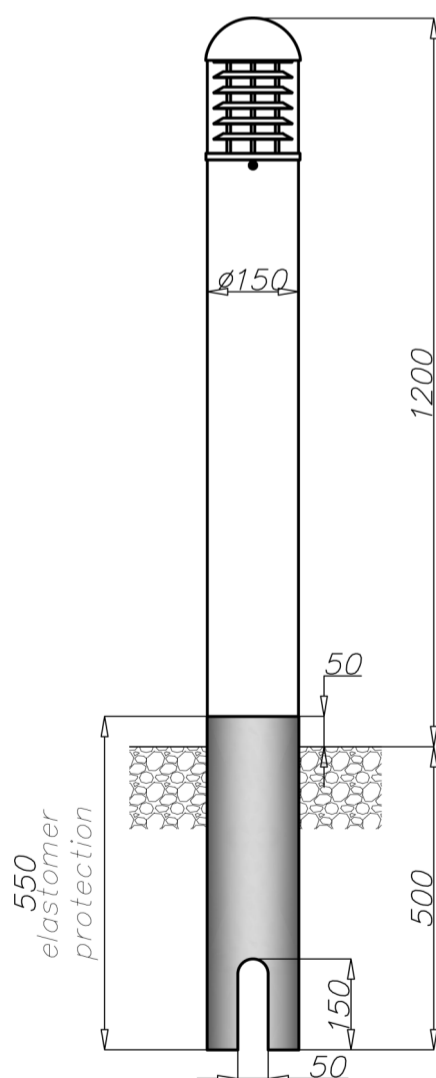
1. Cap
2. PC-UV lamp diffuser
3. Stainless steel louvre reflector
4. Intermediate ring
5. Cover of electrical equipment
6. Gear frame with accessories
7. Insulating separator with ring for mounting gear frame with accessories
8. Pipe $\varnothing 150 \times 2,5$
9. Separator IP 65 for SA
10. Gland PG13,5
11. Base



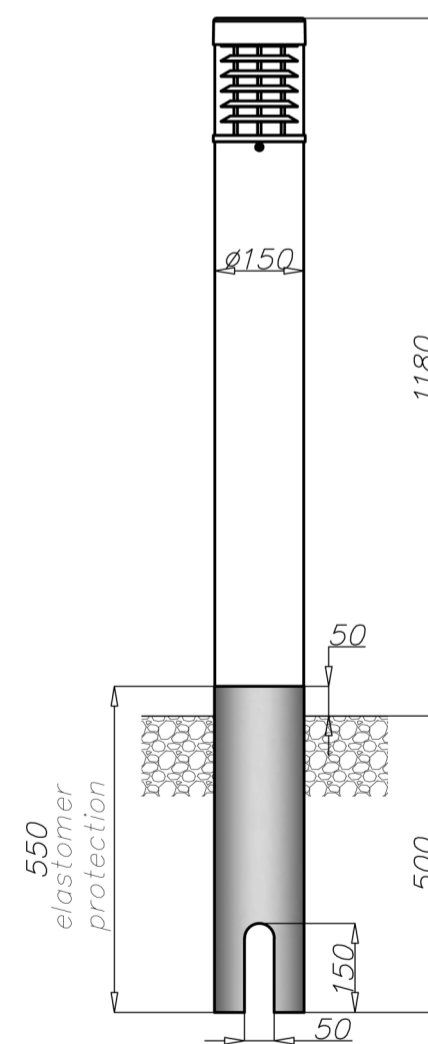
SAP 1200/P



SAP 1200 dz



SAP 1200/P dz



SAP 1200 aluminium bollard



Characteristic

Protection degree	IP 65
Voltage	230V, AC
Frequency	50 Hz
Insulation class	II
Material	aluminium alloy tube with external diameter \varnothing 150 mm, cylindrical diffuser PC-UV transparent with stainless steel louvre reflector
Colour	anodized or painted (marked with M) according to RAL pallet
Assembly	on concrete footing B-0A or reinforcement baskets Z-0A using three stretcher pegs \varnothing 8 or directly to the ground (rooted bollards marked dz)
Electrical equipment	mounted on universal gear frame, magnetic ballast with thermal protection for luminaires 50W-100W metal halide lamps MH 70W (EL) optionally available with electronic ballast

Technical data

Light source type	bollard	SAP 1200	
	type	mounted on footing	dz - rooted
	height [mm]	1200	
	unit volume [m ³]	0,031	0,043
sodium S-50W E-27	anodized	45044/C../P	45102/C../P
	painted	45044M, 45044M/P	45102M, 45102M/P
	weight [kg]	6,55	7,75
sodium S-70W E-27	anodized	45045/C../P	45103/C../P
	painted	45045M, 45045M/P	45103M, 45103M/P
	weight [kg]	6,75	7,95
metal halide MH-70W E-27	anodized	45046/C../P	45104/C../P
	painted	45046M, 45046M/P	45104M, 45104M/P
	weight [kg]	6,75	8,05
metal halide MH-70W Electronic E-27	anodized	45046E/C../P	45104E/C../P
	painted	45046ME, 45046ME/P	45104ME, 45104ME/P
	weight [kg]	5,65	6,95
metal halide MH-100W E-27	anodized	45047/C../P	45105/C../P
	painted	45047M, 45047M/P	45105M, 45105M/P
	weight [kg]	6,95	8,15
CFL compact C 23W E-27	anodized	45050/C../P	45108/C../P
	painted	45050M, 45050M/P	45108M, 45108M/P
	weight [kg]	5,45	6,65

/P - with flat cap, dz - rooted, M - painted, C.. - anodized

- Low Voltage Directive LVD 2006/95/WE, norm PN-EN 60598-1
- Directive EMC 2004/108/WE, norms: PN-EN 55015, PN-EN 61547, PN-EN 61000-3-2, PN-EN 61000-3-3

- surface: polished aluminium
- anodizing in 12 colours
- option of powder painting in RAL colours (other colours available on request)
- rooted—elastomer protection option in the color of the column to a height of 50 mm (other height on request)
- packing: foil