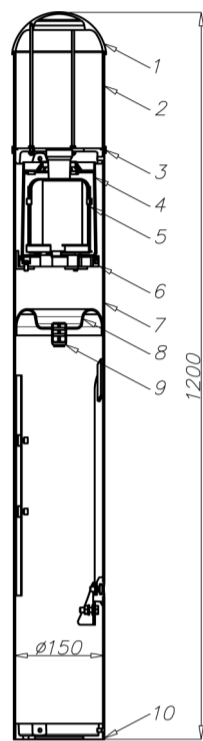
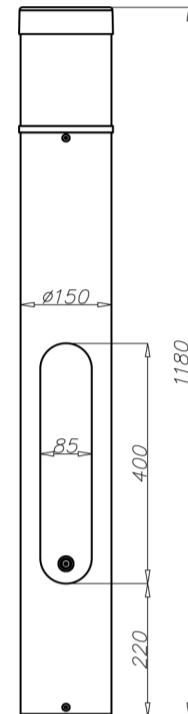


SAM 1200W aluminium bollard

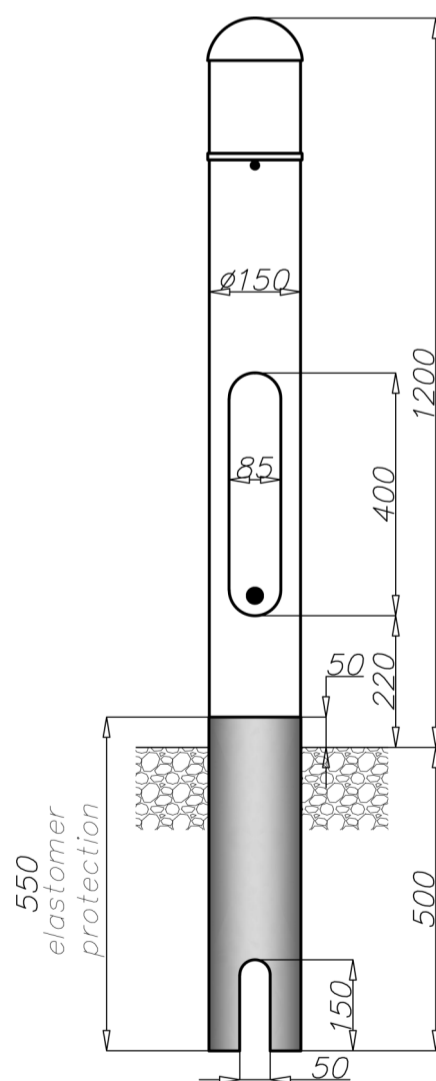


1. Cap
2. PC-UV lamp diffuser
3. Intermediate ring
4. Cover of electrical equipment
5. Gear frame with accessories
6. Insulating separator with ring for mounting gear frame with accessories
7. Pipe $\varnothing 150 \times 2,5$
8. Separator IP 65 for SA
9. Gland PG13,5
10. Base

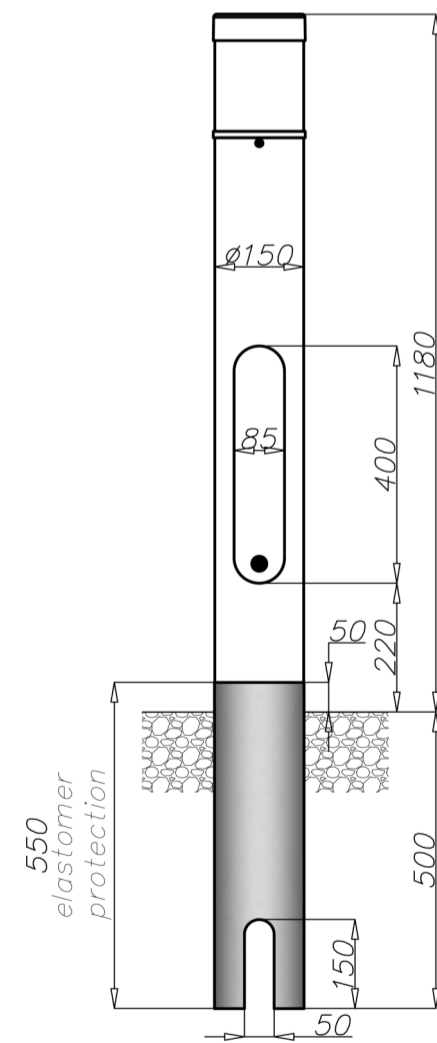
SAM 1200W



SAM 1200W/P



SAM 1200W dz



SAM 1200W/P dz

SAM 1200W aluminium bollard



Characteristic

Protection degree	IP 65
Voltage	230V, AC
Frequency	50 Hz
Insulation class	II
Material	aluminium alloy tube with external diameter \varnothing 150 mm, cylindrical diffuser white PC-UV
Colour	anodized or painted (marked with M) according to RAL pallet
Assembly	on concrete footing B-0A or reinforcement baskets Z-0A using three strecher pegs \varnothing 8 or directly to the ground (rooted bollards marked dz)
Electrical equipment	mounted on universal gear frame, magnetic ballast with thermal protection for luminaires 50W-100W metal halide lamps MH 70W (EL) optionally available with electronic ballast

Technical data

Light source type	bollard	SAM 1200W	
	type	mounted on footing	dz - rooted
	height [mm]	1200	
	unit volume [m ³]	0,031	0,043
sodium S-50W E-27	anodized	45022/C../P	45081/C../P
	painted	45022M, 45022M/P	45081M, 45081M/P
	weight [kg]	6,45	7,85
sodium S-70W E-27	anodized	45023/C../P	45082/C../P
	painted	45023M, 45023M/P	45082M, 45082M/P
	weight [kg]	6,75	8,15
metal halide MH-70W E-27	anodized	45024/C../P	45083/C../P
	painted	45024M, 45024M/P	45083M, 45083M/P
	weight [kg]	6,75	8,15
metal halide MH-70W Electronic E-27	anodized	45024E/C../P	45083E/C../P
	painted	45024ME, 45024ME/P	45083ME, 45083ME/P
	weight [kg]	5,55	6,95
metal halide MH-100W E-27	anodized	45025/C../P	45084/C../P
	painted	45025M, 45025M/P	45084M, 45084M/P
	weight [kg]	6,95	8,35
CFL compact 23W E-27	anodized	45028/C../P	45087/C../P
	painted	45028M, 45028M/P	45087M, 45087M/P
	weight [kg]	5,35	6,75

/P - with flat cap, dz - rooted, M - painted, C.. - anodized

- Low Voltage Directive LVD 2006/95/WE, norm PN-EN 60598-1
- Directive EMC 2004/108/WE, norms: PN-EN 55015, PN-EN 61547, PN-EN 61000-3-2, PN-EN 61000-3-3

- surface: polished aluminium
- anodizing in 12 colours
- option of powder painting in RAL colours (other colours available on request)
- rooted—elastomer protection option in the color of the column to a height of 50 mm (other height on request)
- ROSA standard wiring chamber
- packing: foil