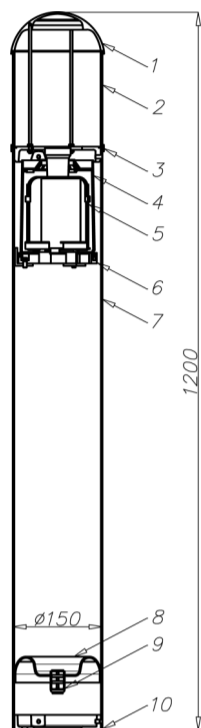
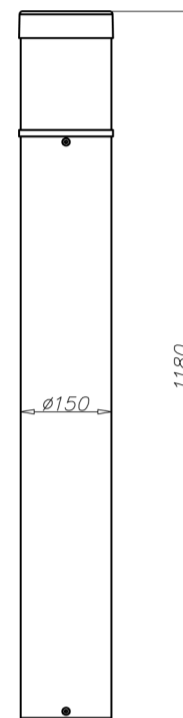


# SAM 1200 aluminium bollard

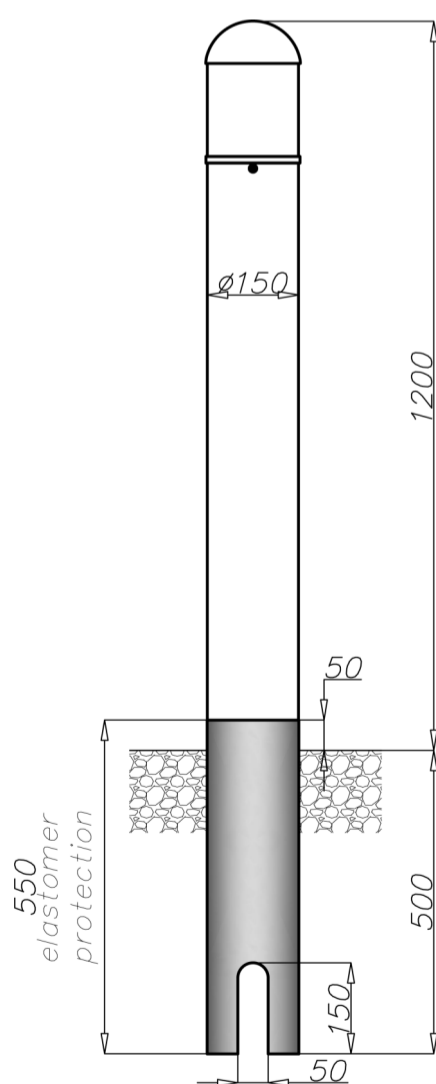


1. Cap
2. PC-UV lamp diffuser
3. Intermediate ring
4. Cover of electrical equipment
5. Gear frame with accessories
6. Insulating separator with ring for mounting gear frame with accessories
7. Pipe  $\varnothing 150 \times 2,5$
8. Separator IP 65 for SA
9. Gland PG13,5
10. Base

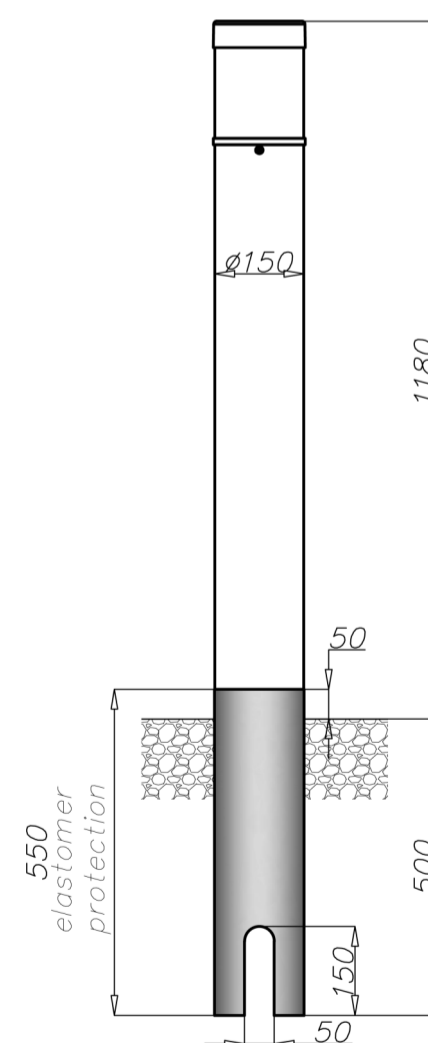
SAM 1200



SAM 1200/P



SAM 1200 dz



SAM 1200/P dz

# SAM 1200 aluminium bollard



## Characteristic

|                      |   |
|----------------------|---|
| Protection degree    | IP 65   |
| Voltage              | 230V, AC  |
| Frequency            | 50 Hz   |
| Insulation class     | II  |
| Material             | aluminium alloy tube with external diameter $\varnothing$ 150 mm, cylindrical diffuser white PC-UV  |
| Colour               | anodized or painted (marked with M) according to RAL pallet   |
| Assembly             | on concrete footing B-0A or reinforcement baskets Z-0A using three strecher pegs $\varnothing$ 8 or directly to the ground (rooted bollards marked dz)                        |
| Electrical equipment | mounted on universal gear frame, magnetic ballast with thermal protection for luminaires 50W-100W metal halide lamps MH 70W (EL) optionally available with electronic ballast |

## Technical data

| Light source type                   | bollard                       | SAM 1200           |                    |
|-------------------------------------|-------------------------------|--------------------|--------------------|
|                                     | type                          | mounted on footing | dz - rooted        |
|                                     | height [mm]                   | 1200               |                    |
|                                     | unit volume [m <sup>3</sup> ] | 0,031              | 0,043              |
| sodium S-50W E-27                   | anodized                      | 45015/C../P        | 45074/C../P        |
|                                     | painted                       | 45015M, 45015M/P   | 45074M, 45074M/P   |
|                                     | weight [kg]                   | 6,25               | 7,55               |
| sodium S-70W E-27                   | anodized                      | 45016/C../P        | 45075/C../P        |
|                                     | painted                       | 45016M, 45016M/P   | 45075M, 45075M/P   |
|                                     | weight [kg]                   | 6,55               | 7,75               |
| metal halide MH-70W E-27            | anodized                      | 45017/C../P        | 45076/C../P        |
|                                     | painted                       | 45017M, 45017M/P   | 45076M, 45076M/P   |
|                                     | weight [kg]                   | 6,55               | 7,75               |
| metal halide MH-70W Electronic E-27 | anodized                      | 45017E/C../P       | 45076E/C../P       |
|                                     | painted                       | 45017ME, 45017ME/P | 45076ME, 45076ME/P |
|                                     | weight [kg]                   | 5,35               | 6,65               |
| metal halide MH-100W E-27           | anodized                      | 45018/C../P        | 45077/C../P        |
|                                     | painted                       | 45018M, 45018M/P   | 45077M, 45077M/P   |
|                                     | weight [kg]                   | 6,75               | 7,95               |
| CFL compact 23W E-27                | anodized                      | 45021/C../P        | 45080/C../P        |
|                                     | painted                       | 45021M, 45021M/P   | 45080M, 45080M/P   |
|                                     | weight [kg]                   | 5,15               | 6,45               |

/P - with flat cap, dz - rooted, M - painted, C.. - anodized

- Low Voltage Directive LVD 2006/95/WE, norm PN-EN 60598-1
- Directive EMC 2004/108/WE, norms: PN-EN 55015, PN-EN 61547, PN-EN 61000-3-2, PN-EN 61000-3-3

- surface: polished aluminium
- anodizing in 12 colours
- option of powder painting in RAL colours (other colours available on request)
- rooted—elastomer protection option in the color of the column to a height of 50 mm (other height on request)
- packing: foil