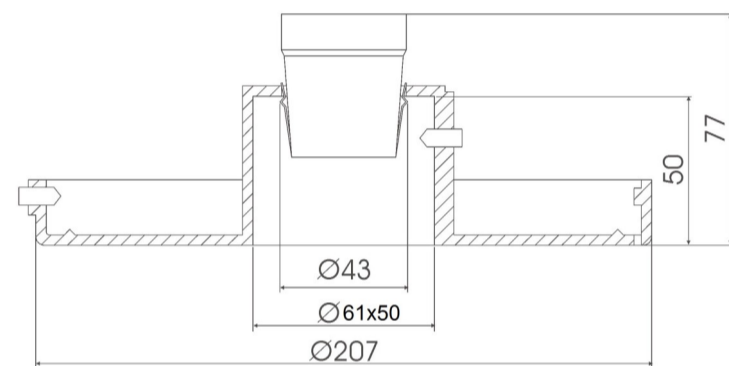


OZ 400 luminaire



OZ 450 luminaire

Characteristic

Voltage	230V, AC
Frequency	50 Hz
Insulation class	II
Protection degree	IP 44
Material	Polyamide with fibre glass
Colour	black
Mounting	upwards only
Assembly	<p>OZ 400 – on columns, extension arms, aluminium and steel wall brackets with spigot ending $\varnothing 60$ mm, 70 mm deep and on poles type S and SP with special adaption for this luminaire</p> <p>OZ 450 – on columns, extension arms, aluminium and steel wall brackets with spigot ending $\varnothing 60$ mm, 50 mm deep and on poles type S and SP with special adaption for this luminaire</p>

Technical data

Luminaire type	OZ 400	OZ 450
Code	211415	211515
Power [W]	23	
Light source type / holder	compact fluorescent lamp E-27	compact fluorescent lamp E-27
Net weight [kg]	0,35	0,33
Unit volume [m³]	0,0037	0,0034
Windage max. [m²]	0,13	0,16
Diameter of diffuser neck [mm]	$\varnothing 180$	$\varnothing 200$
Used diffuser type	Sphere 400, Atlanta 400, Klio 400	Sphere 450

- Low Voltage Directive LVD 2006/95/WE, norm PN-EN 60598-1
- Directive EMC 2004/108/WE, norms: PN-EN 55015, PN-EN 61547, PN-EN 61000-3-2, PN-EN 61000-3-3