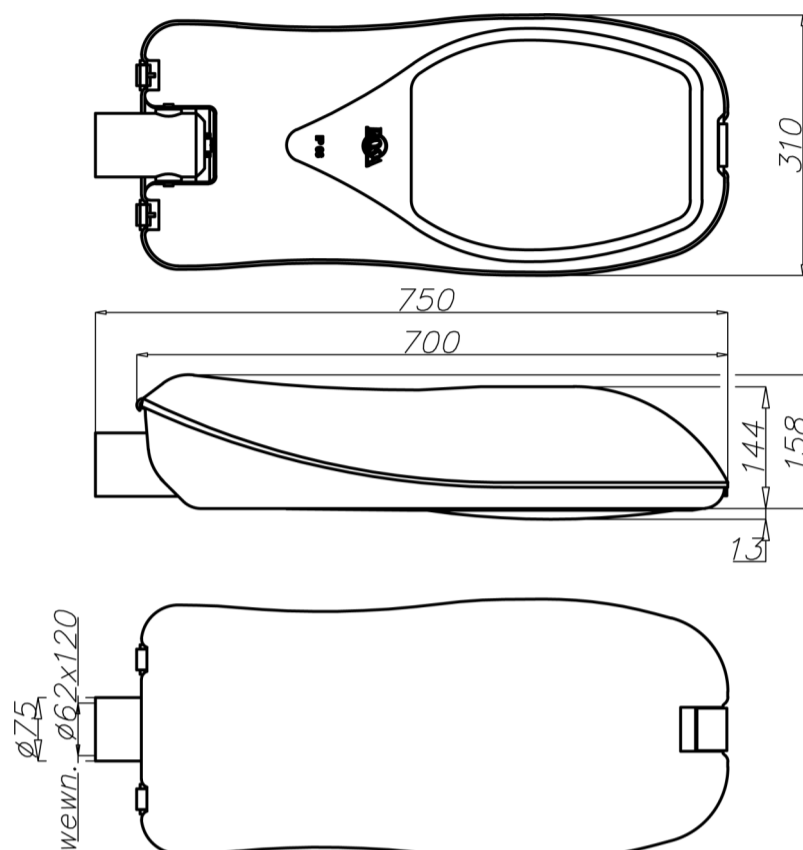


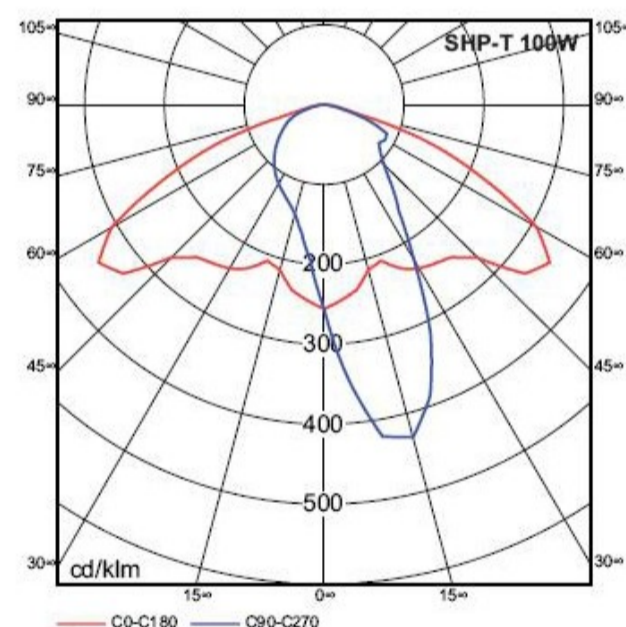
# MAGNOLIA luminaire



## Characteristic

Voltage	230 V, AC
Frequency	50 Hz
Insulation class	II
Protection degree IP	IP 66 for optic and wiring chamber
Material	body and cover - die cast aluminium alloy
Colour	body - RAL 9006 grey, cover - SILVER RENOIR (polyester powder paints)
Mounting	pole top mounting, spigot ending $\varnothing 60$ mm, 120 mm deep or on extension arm
Luminaire regulation	from $-5^\circ$ to $20^\circ$ every $2,5^\circ$ , possibility of fully smooth regulation from $0^\circ$ to $90^\circ$ by adding extra position holes
Lamp diffuser	slightly convex tempered 4 mm thick
Reflector	pressed aluminium sheet
Lamp holder	E-27, E-40, ceramic
Control gear	mounted on plastic gear tray, magnetic ballast with thermal protection for luminaires 70W - 250W, metal halide lamps 100W and 150W (EL) optionally available with electronic ballast

Distribution curve for luminaire MAGNOLIA S-100W



## Technical data

Luminaire type	Code	Power [W]	Light source type / holder	Net weight [kg]	Unit volume [m <sup>3</sup> ]	Windage [m <sup>2</sup> ]
MAGNOLIA S-70	220502	70	sodium E-27	8,3	0,04	0,1
MAGNOLIA S-100	220503	100	sodium-E-40	8,6		
MAGNOLIA S-150	220504	150		9,3		
MAGNOLIA S-250	220505	250		10,4		
MAGNOLIA MH-70	220507	70		metal halide E-27		
MAGNOLIA MH-100	220508	100	8,5			
MAGNOLIA MH-150	220509	150	9,2			
MAGNOLIA MH-250	220510	250	metal halide E-40			

- Low Voltage Directive LVD 2006/95/WE, norm PN-EN 60598-1, PN-EN 60598-2-3
- Directive EMC 2004/108/WE, norms: PN-EN 55015, PN-EN 61547, PN-EN 61000-3-2, PN-EN 61000-3-3