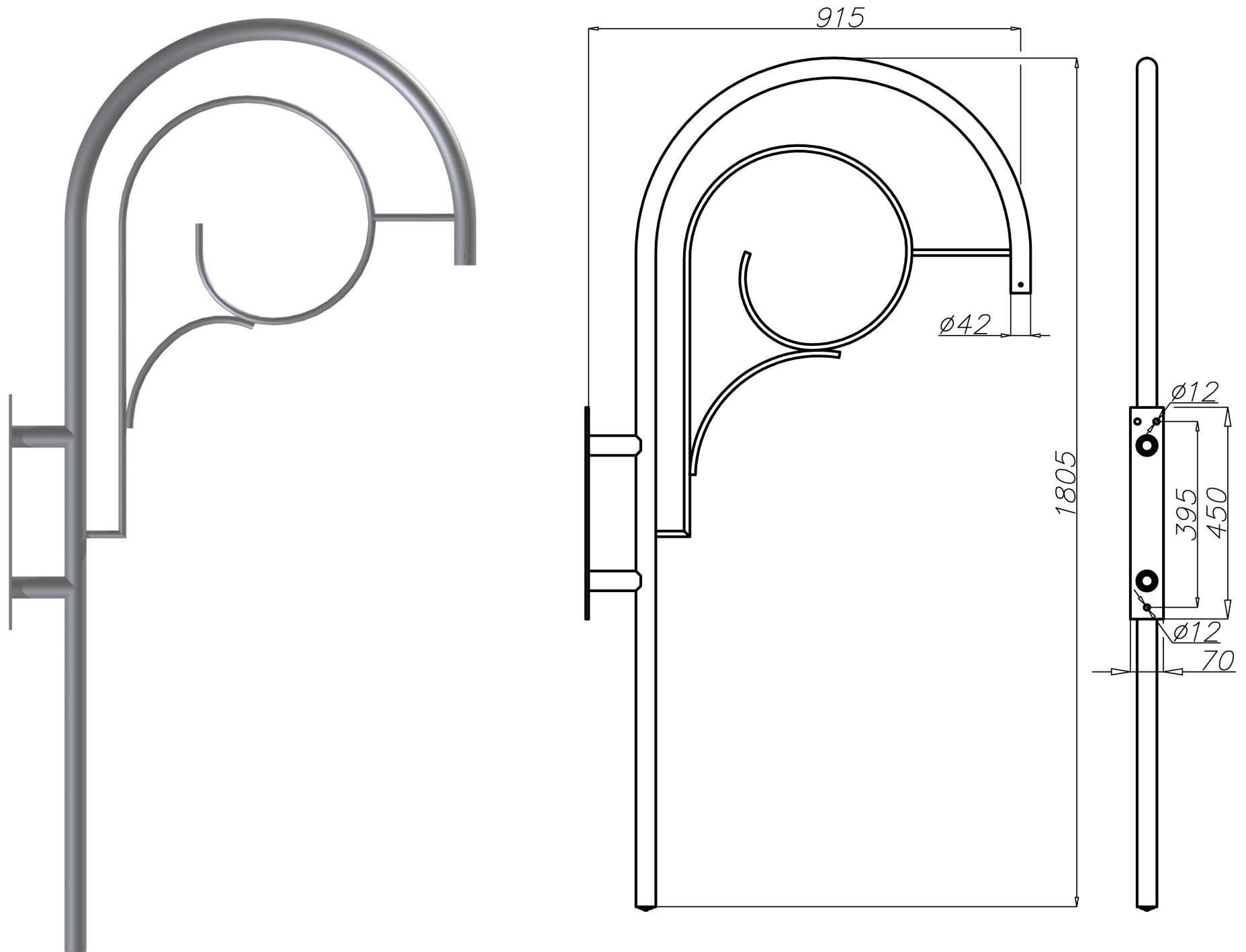


Aluminium wall bracket KA-20



Technical data

Wall bracket	KA-20
Product code	478200
Net weight [kg]	4,3
Volume [m ³]	0,09
Assembling diameter of luminaire \varnothing [mm]	\varnothing 42
Compatible luminaires	OW, OPA, DROP

- anodising in 10 colours, each with possibility of brightening
- option of powder painting in RAL colours (other colours available on request)
- possibility of making assembling diameter of luminaire \varnothing 60 mm
- packing: sleeve material