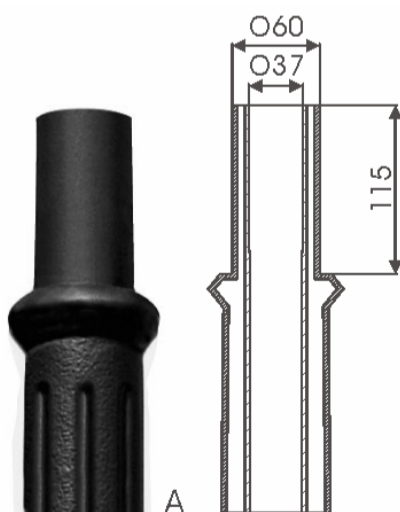
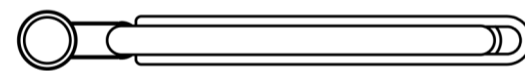
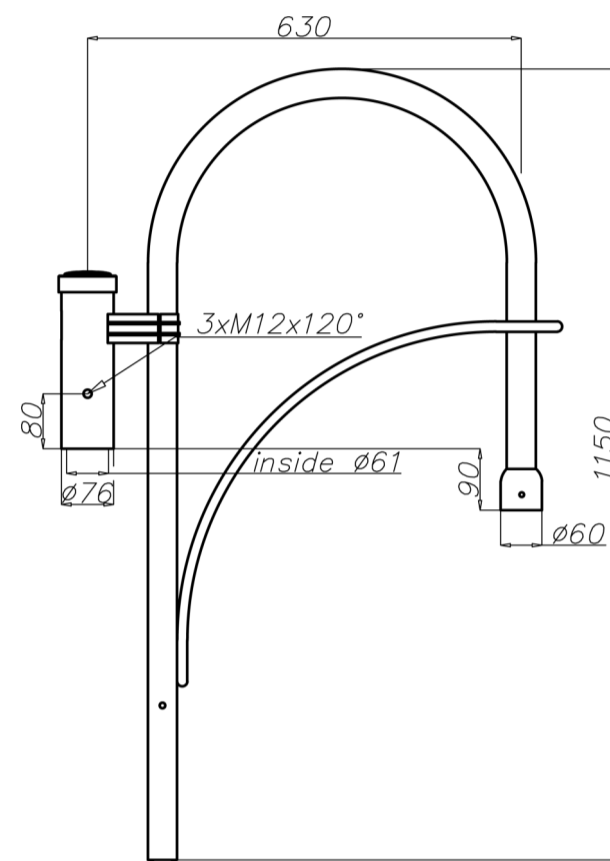


Aluminium extension arm WT-11/1



Technical data

Extension arm	WT-11/1
Product code	477111/C35
Application	poles type SP with spigot ending "A"
Arm quantity	1
Net weight [kg]	3,7
Volume [m ³]	0,04
Assembling diameter of luminaire [mm]	$\varnothing 60$
Compatible luminaires	OP 400, OP 450

- standard anodized in black
- possibility of anodizing in other colours
- option of powder painting in RAL colours (other colours available on request)
- possibility of making assembling diameter of luminaire $\varnothing 42$ mm for OPA
- packing: stretch foil