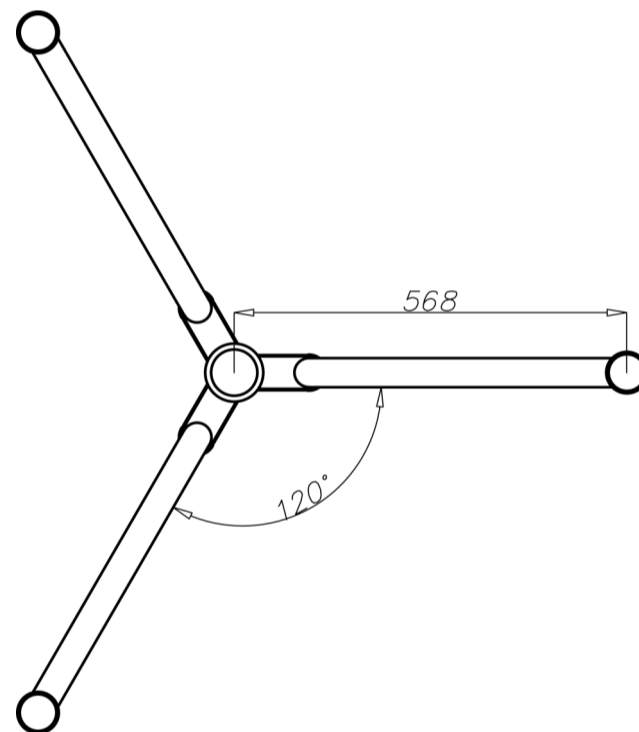
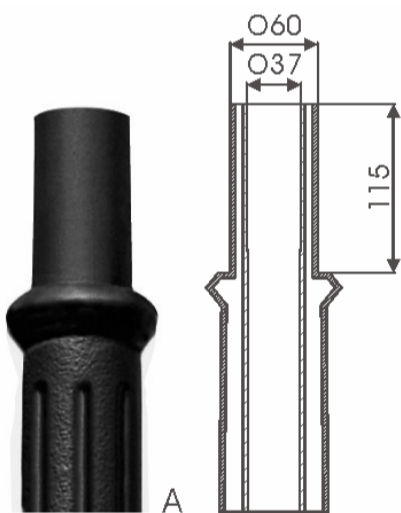
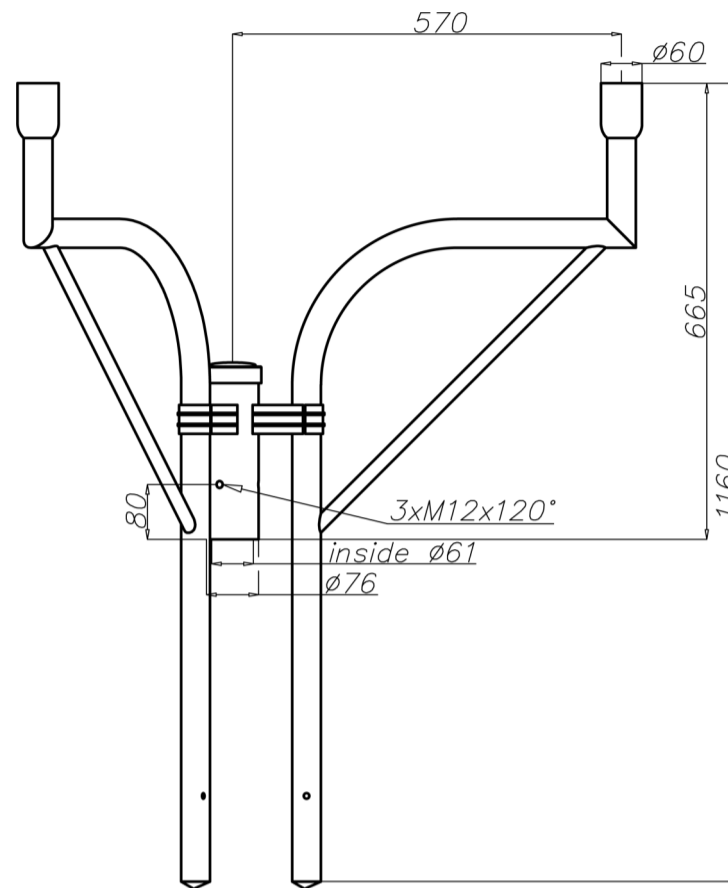


Aluminium extension arm WT-5/3



Technical data

| | |
|---------------------------------------|--------------------------------------|
| Extension arm | WT-5/3 |
| Product code | 477053/C35 |
| Application | poles type SP with spigot ending "A" |
| Arm quantity | 3 |
| Net weight [kg] | 7,9 |
| Volume [m ³] | 0,05 |
| Assembling diameter of luminaire [mm] | Ø 60 |
| Compatible luminaires | park luminaires with fixing Ø 60 |

- standard anodized in black
- possibility of anodizing in other colours
- option of powder painting in RAL colours (other colours available on request)
- packing: stretch foil