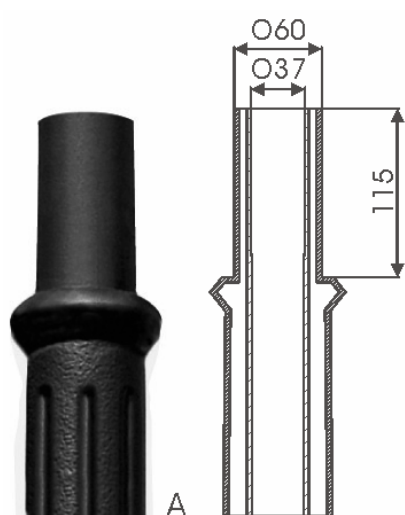
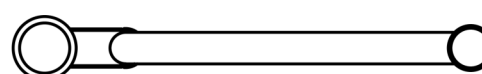
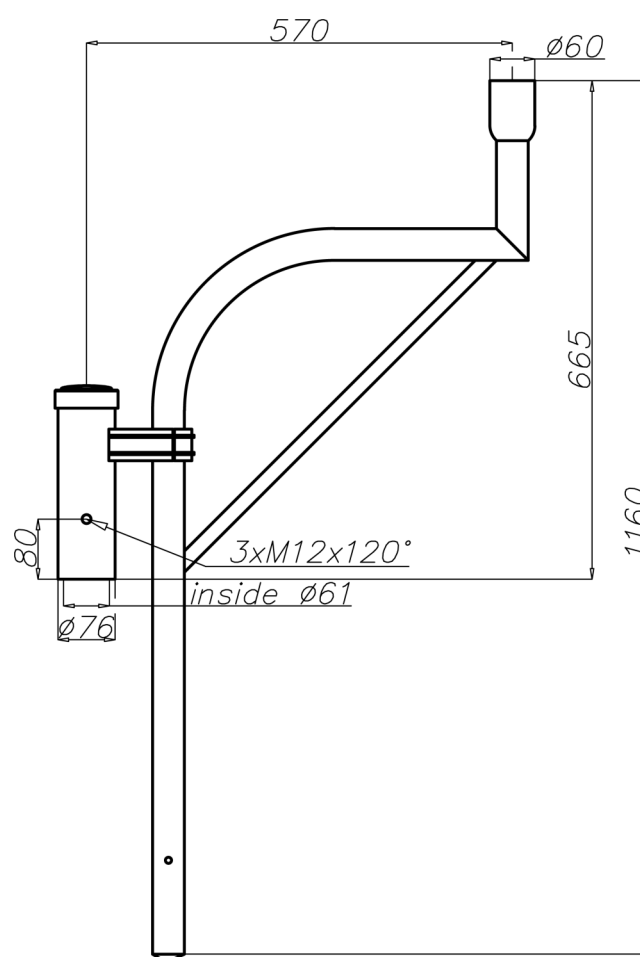


# Aluminium extension arm WT-5/1



## Technical data

Extension arm	WT-5/1
Product code	477051/C35
Application	poles type SP with spigot ending "A"
Arm quantity	1
Net weight [kg]	2,9
Volume [m <sup>3</sup> ]	0,02
Assembling diameter of luminaire [mm]	Ø 60
Compatible luminaires	park luminaires with fixing Ø 60

- standard anodized in black
- possibility of anodizing in other colours
- option of powder painting in RAL colours (other colours available on request)
- packing: stretch foil