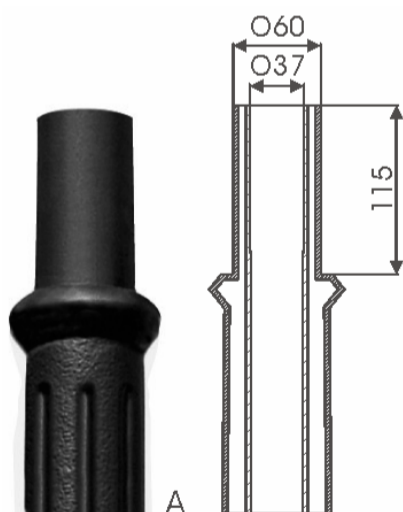
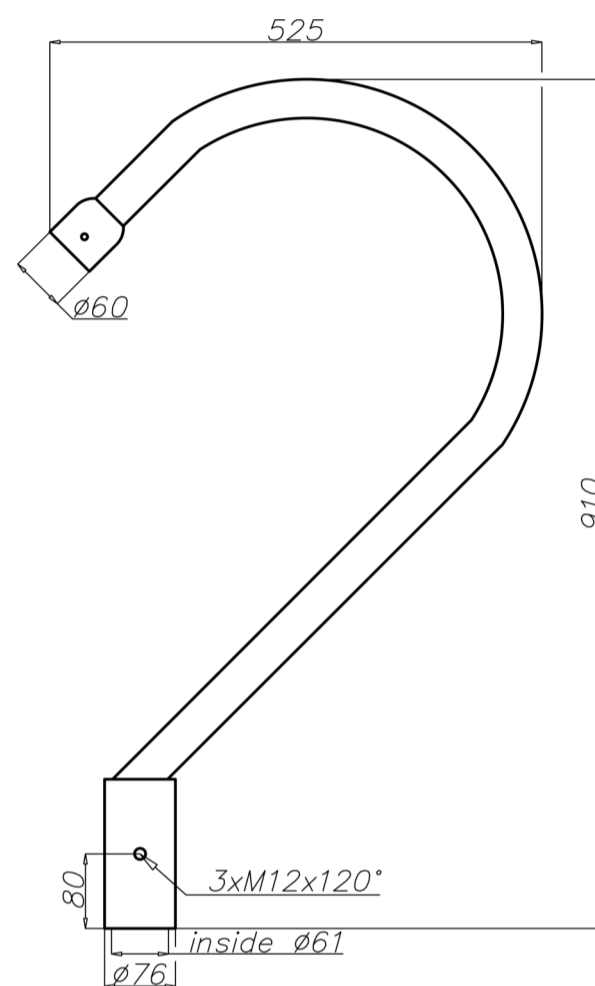


# Aluminium extension arm WT-3



## Technical data

Extension arm	<b>WT-3</b>
Product code	477030/C35
Application	poles type SP with spigot ending "A"
Arm quantity	1
Net weight [kg]	2,1
Volume [m <sup>3</sup> ]	0,014
Assembling diameter of luminaire [mm]	Ø 60
Compatible luminaires	OP 400, OP 450

- standard anodized in black
- possibility of anodizing in other colours
- option of powder painting in RAL colours (other colours available on request)
- packing: stretch foil