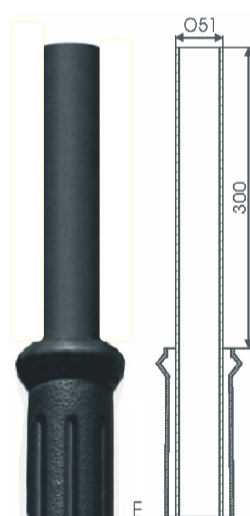
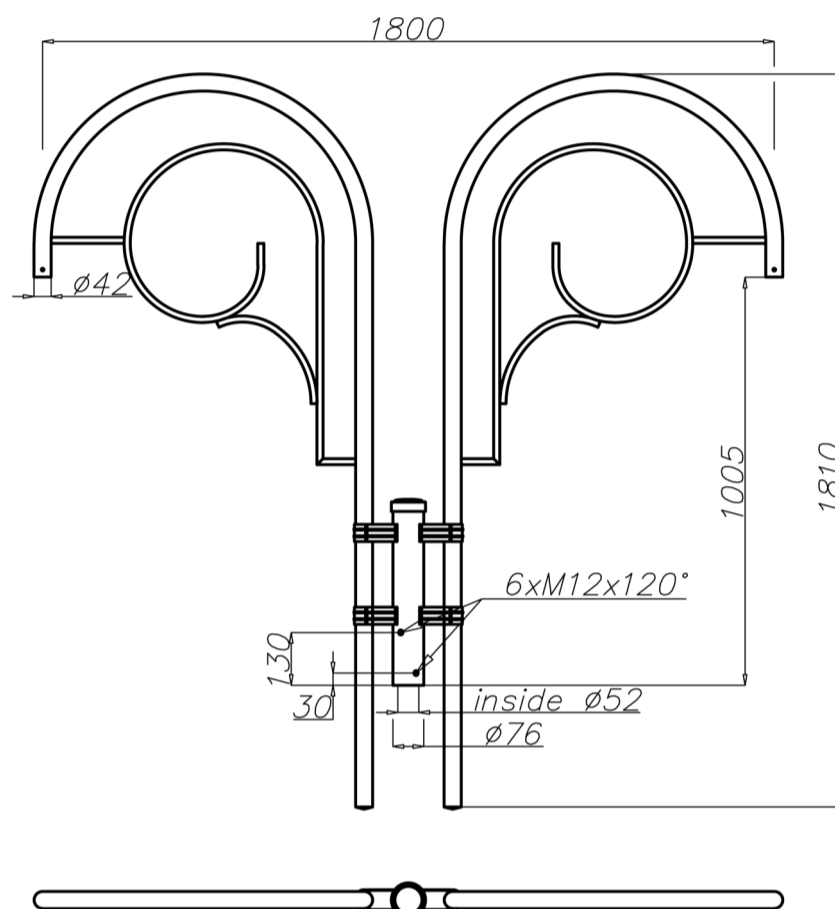


# Aluminium extension arm WTM-20/2



## Technical data

Extension arm	WTM-20/2
Product code	476202/C35
Application	poles type SM and SP with spigot ending "E"
Arm quantity	2
Net weight [kg]	9,6
Volume [m <sup>3</sup> ]	0,22
Assembling diameter of luminaire $\varnothing$ [mm]	$\varnothing$ 42
Compatible luminaires	OW, OW-2, OPA, DROP

- standard anodised in black
- possibility of anodising in other colours
- option of powder painting in RAL colours (other colours available on request)
- packing: stretch foil