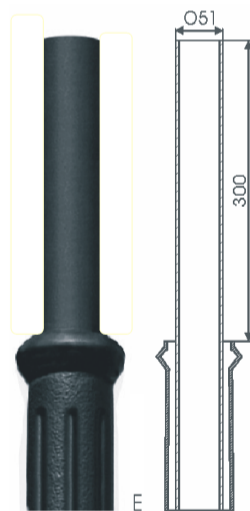
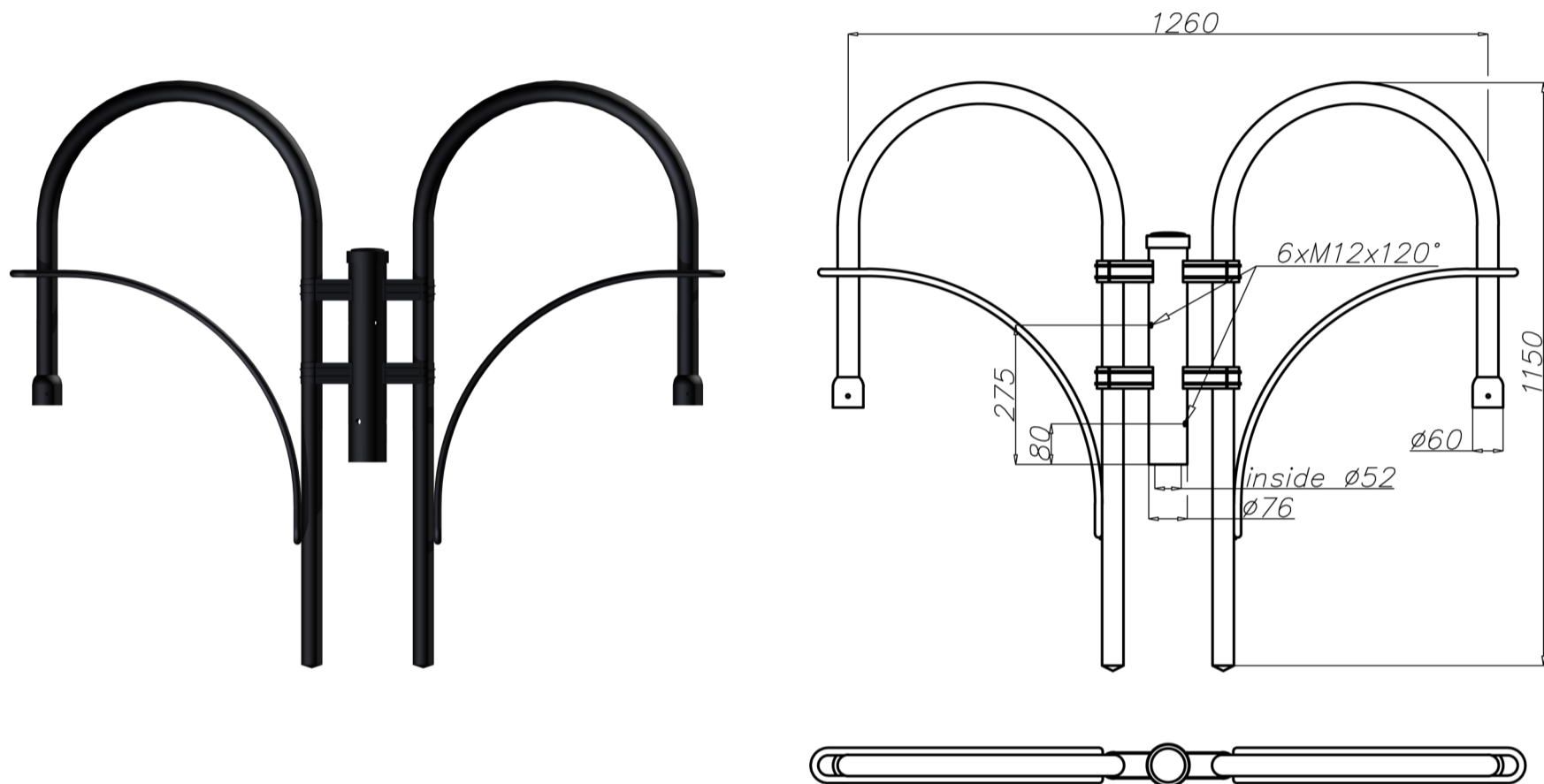


Aluminium extension arm WTM-11/2



Technical data

Extension arm	WTM-11/2
Product code	476112
Application	poles type SM and SP with spigot ending "E"
Arm quantity	2
Net weight [kg]	7,5
Volume [m ³]	0,10
Assembling diameter of luminaire \varnothing [mm]	\varnothing 60
Compatible luminaires	OP 400, OP 450

- standard anodised in black
- possibility of anodising in other colours
- option of powder painting in RAL colours (other colours available on request)
- possibility of making assembling diameter of luminaire \varnothing 42 mm for OPA
- packing: stretch foil