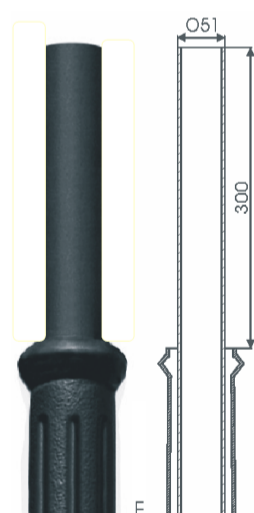
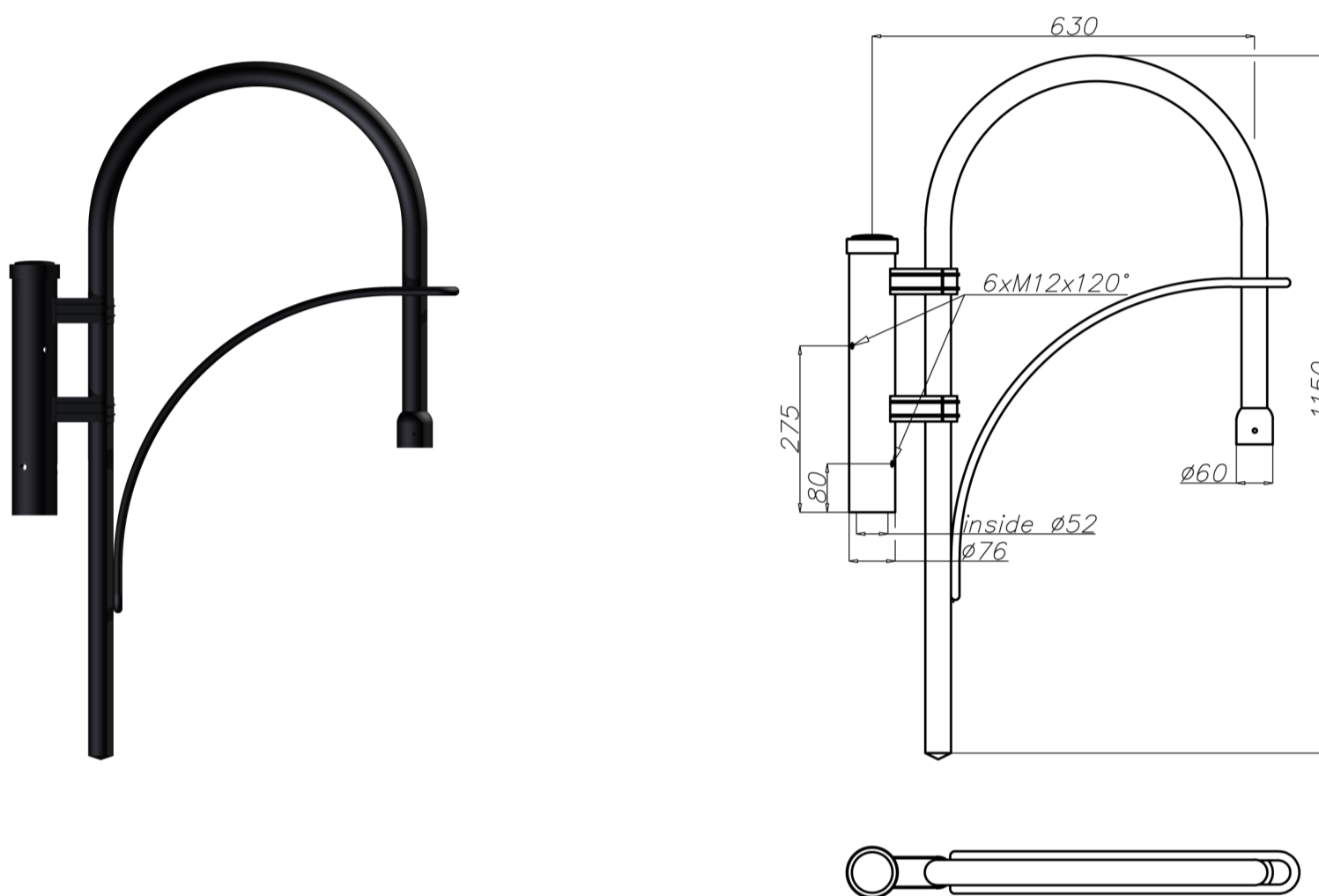


# Aluminium extension arm WTM-11/1



## Technical data

Extension arm	WTM-11/1
Product code	476111/C35
Application	poles type SM and SP with spigot ending "E"
Arm quantity	1
Net weight [kg]	4,8
Volume [m <sup>3</sup> ]	0,05
Assembling diameter of luminaire $\varnothing$ [mm]	$\varnothing$ 60
Compatible luminaires	OP 400, OP 450

- standard anodised in black
- possibility of anodising in other colours
- option of powder painting in RAL colours (other colours available on request)
- possibility of making assembling diameter of luminaire  $\varnothing$  42 mm for OPA
- packing: stretch foil