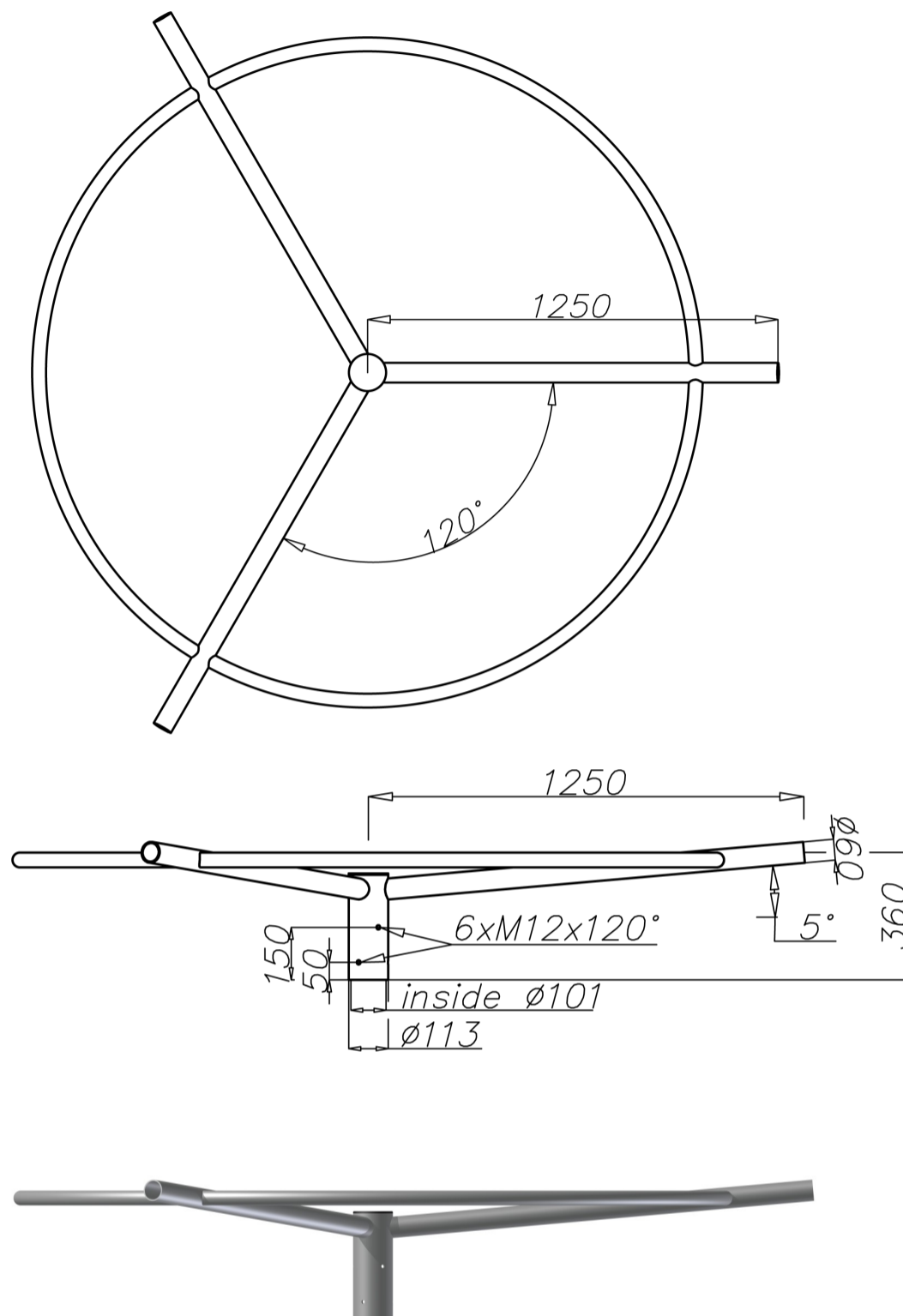


Aluminium extension arm WRK-3



Technical data

Extension arm	WRK-3
Product code	475030
Application	aluminium light masts with ending $\varnothing 100 \times 180$
Arm quantity	3
Net weight [kg]	16
Windage [m ²]	0,23
Volume [m ³]	0,81
Assembling diameter of luminaire \varnothing [mm]	$\varnothing 60$
Compatible luminaires	street luminaires

- anodising in 10 colours, each with possibility of brightening
- option of powder painting in RAL colours (other colours available on request)
- packing: sleeve material
- CE certificate valid for use on poles manufactured by ROSA company