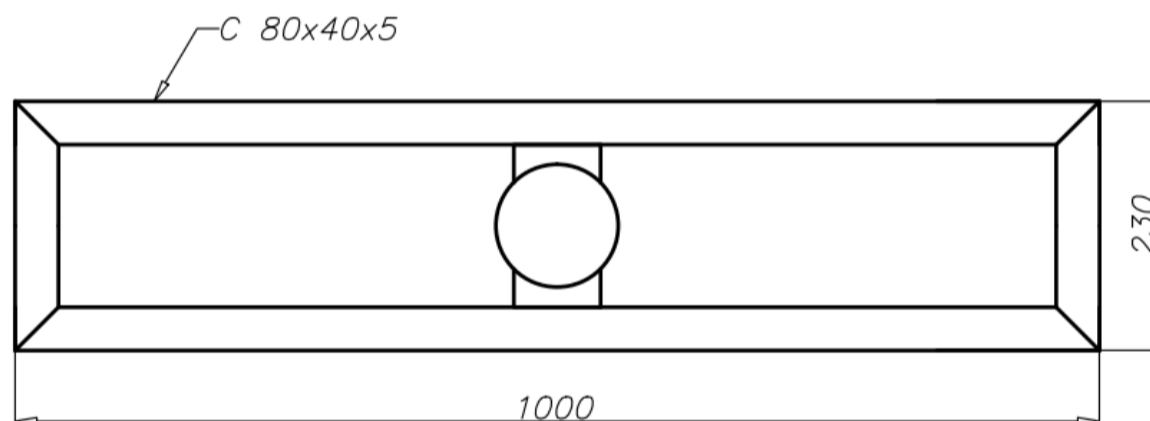
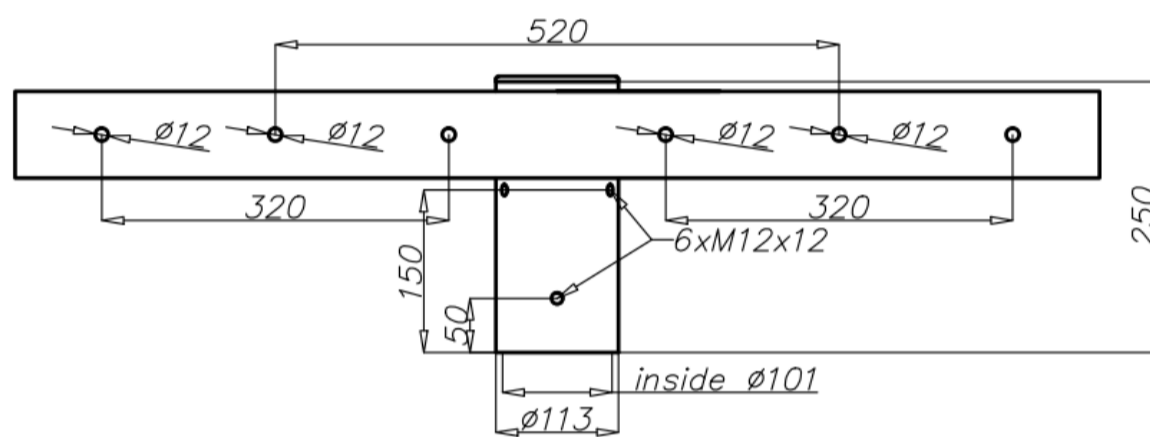
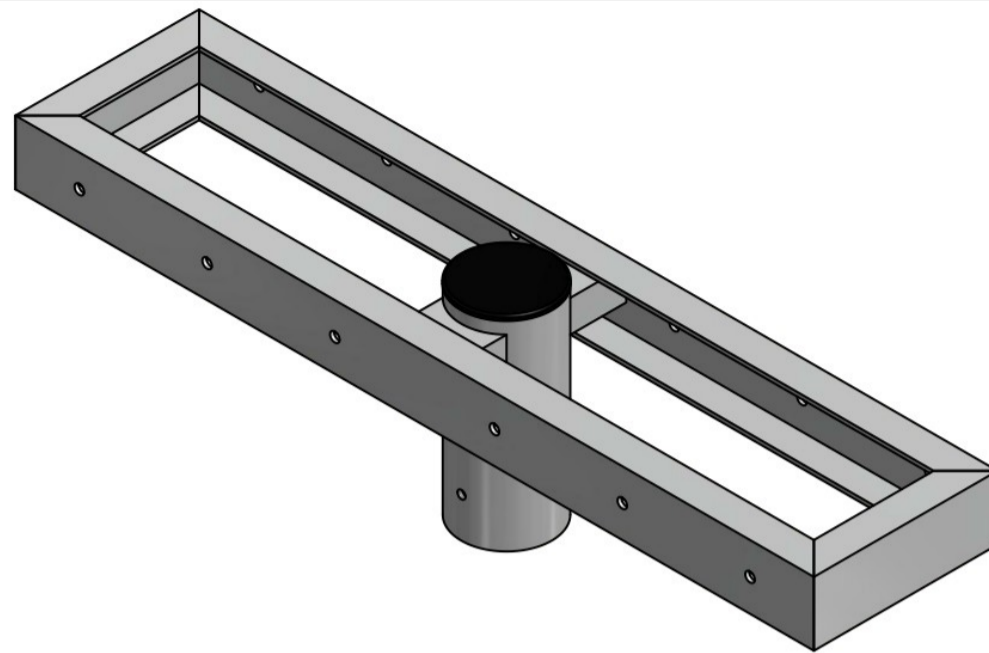


Aluminium extension arm WM-42



Technical data

Extension arm	WM-42
Product code	474420
Application	aluminium light masts with ending $\phi 100 \times 180$
Arm quantity	4
Net weight [kg]	7,1
Windage [m ²]	0,1
Volume [m ³]	0,03
Assembling diameter of luminaire ϕ [mm]	x
Compatible luminaires	projectors

- anodising in 10 colours, each with possibility of brightening
- option of powder painting in RAL colours (other colours available on request)
- packing: sleeve material
- CE certificate valid for use on poles manufactured by ROSA company