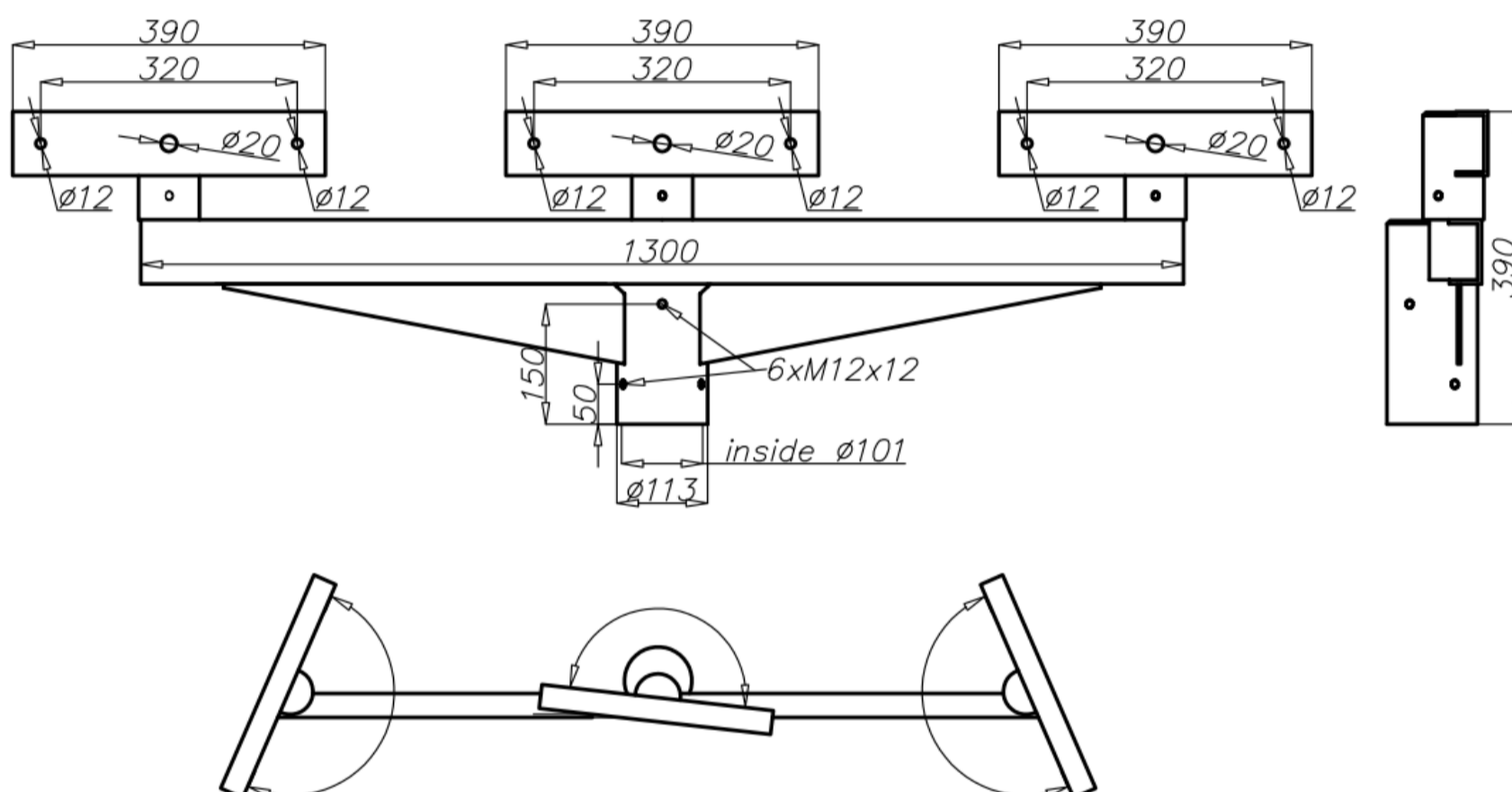
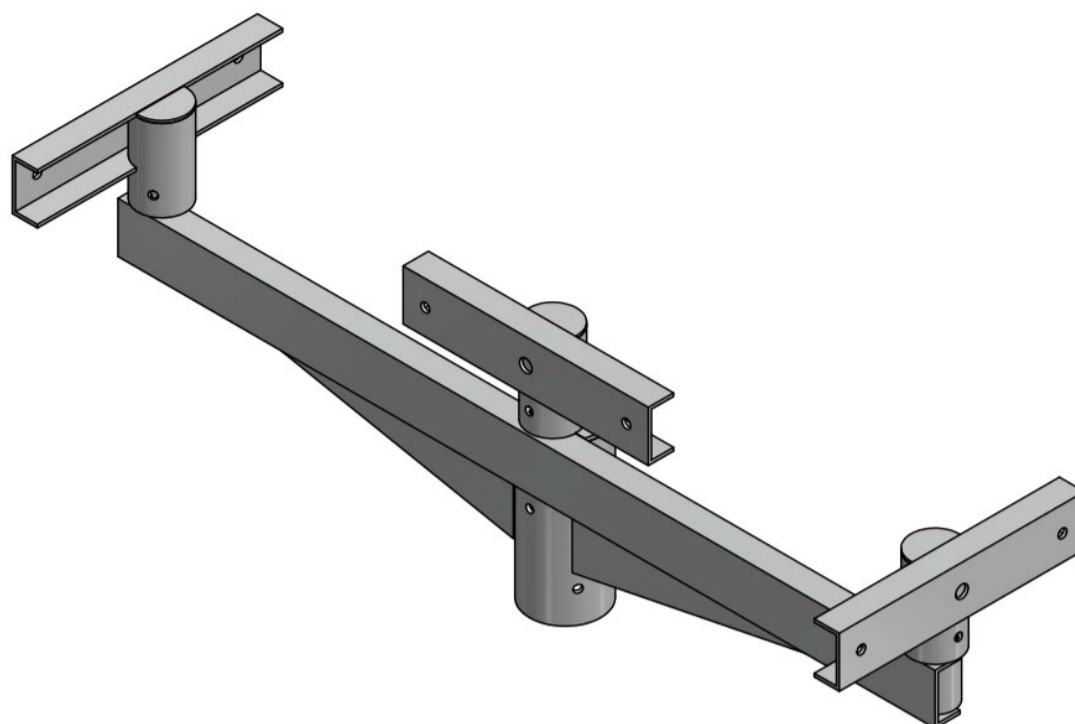


# Aluminium extension arm WM-31 REG



## Technical data

Extension arm	WM-31 REG
Product code	474311
Application	aluminium light masts with ending $\varnothing 100 \times 180$
Arm quantity	3
Net weight [kg]	10
Windage [m <sup>2</sup> ]	0,281
Volume [m <sup>3</sup> ]	0,087
Assembling diameter of luminaire $\varnothing$ [mm]	x
Compatible luminaires	projectors

- anodising in 10 colours, each with possibility of brightening
- option of powder painting in RAL colours (other colours available on request)
- packing: sleeve material
- CE certificate valid for use on poles manufactured by ROSA company