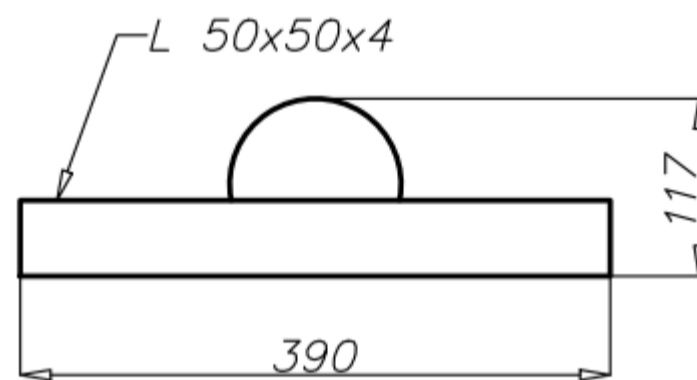
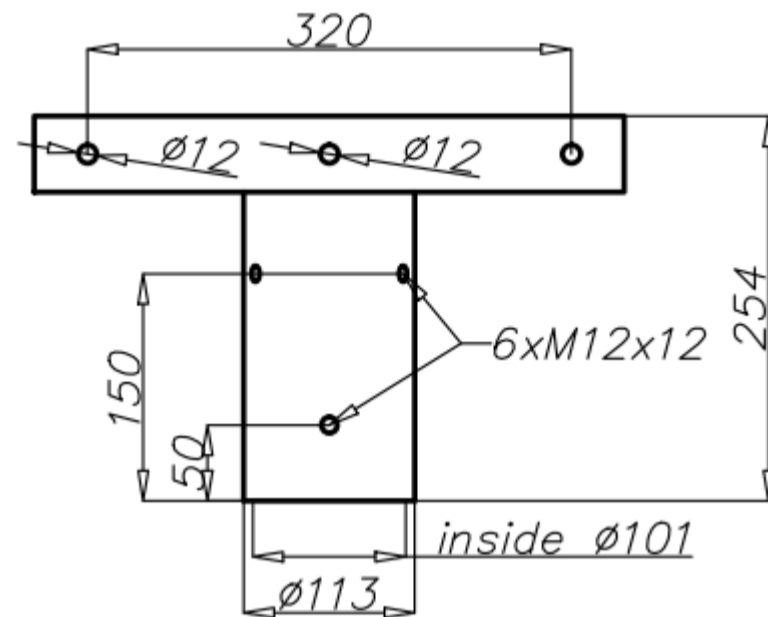
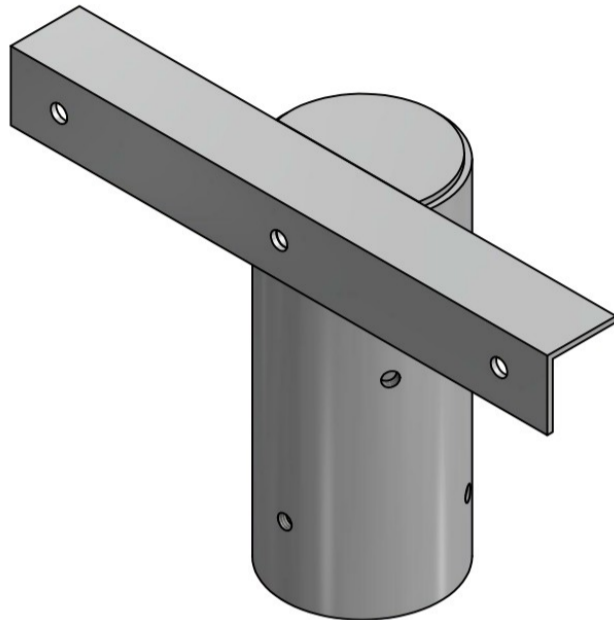


Aluminium extension arm WM-1



Technical data

Extension arm	WM-1
Product code	474010
Application	aluminium light masts with ending $\varnothing 100 \times 180$
Arm quantity	1
Net weight [kg]	2
Windage [m ²]	0,04
Volume [m ³]	0,01
Assembling diameter of luminaire \varnothing [mm]	x
Compatible luminaires	floodlights

- anodising in 10 colours, each with possibility of brightening
- option of powder painting in RAL colours (other colours available on request)
- packing: sleeve material
- CE certificate valid for use on poles manufactured by ROSA company