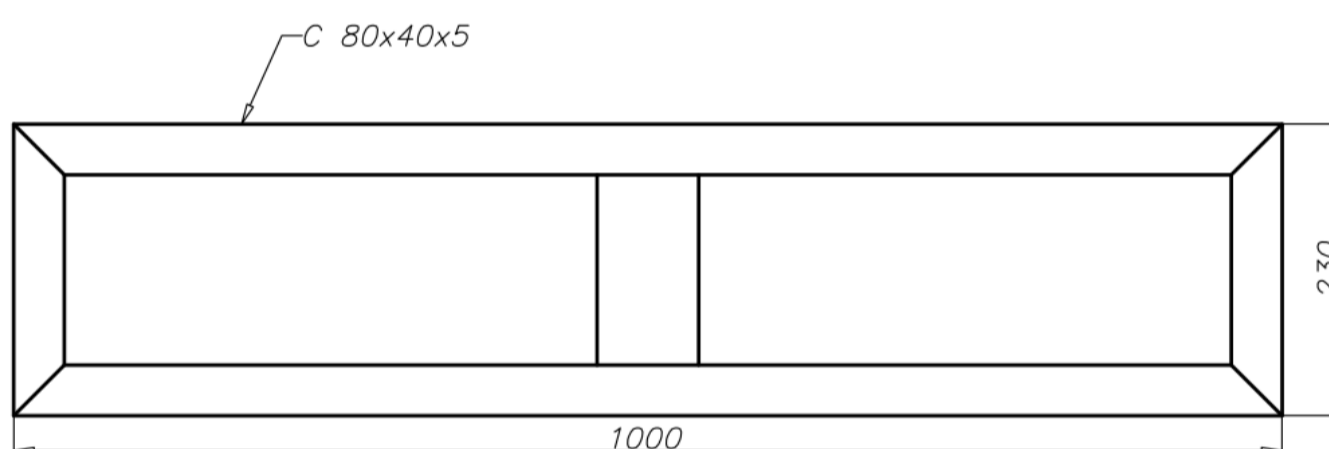
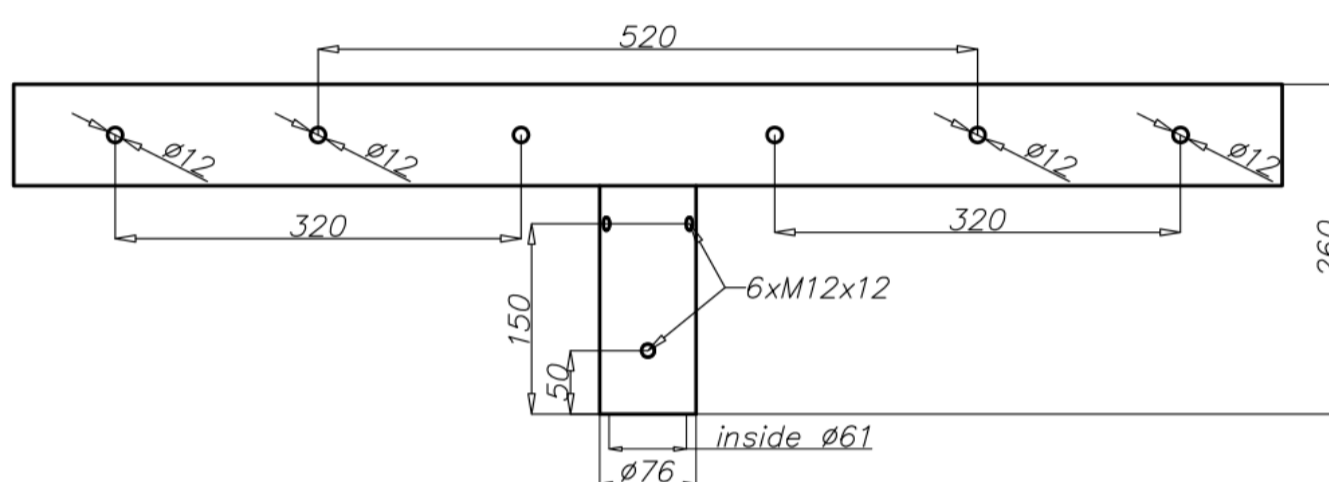
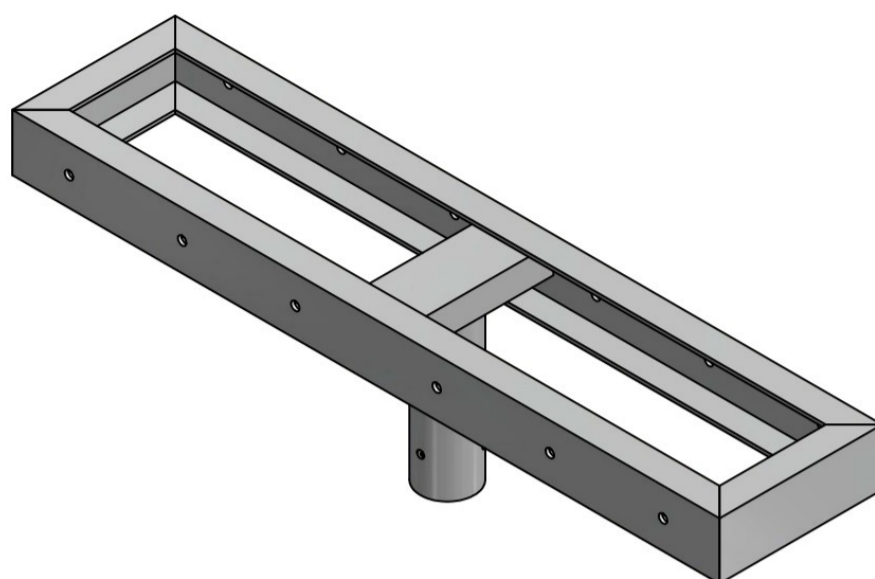


# Aluminium extension arm WN-42



## Technical data

Extension arm	WN-42
Product code	473420
Application	aluminium columns with ending $\phi 60 \times 180$
Arm quantity	4
Net weight [kg]	6,3
Windage [m <sup>2</sup> ]	0,09
Volume [m <sup>3</sup> ]	0,03
Assembling diameter of luminaire $\phi$ [mm]	x
Compatible luminaires	floodlights

- anodising in 10 colours, each with possibility of brightening
- option of powder painting in RAL colours (other colours available on request)
- packing: sleeve material
- CE certificate valid for use on poles manufactured by ROSA company