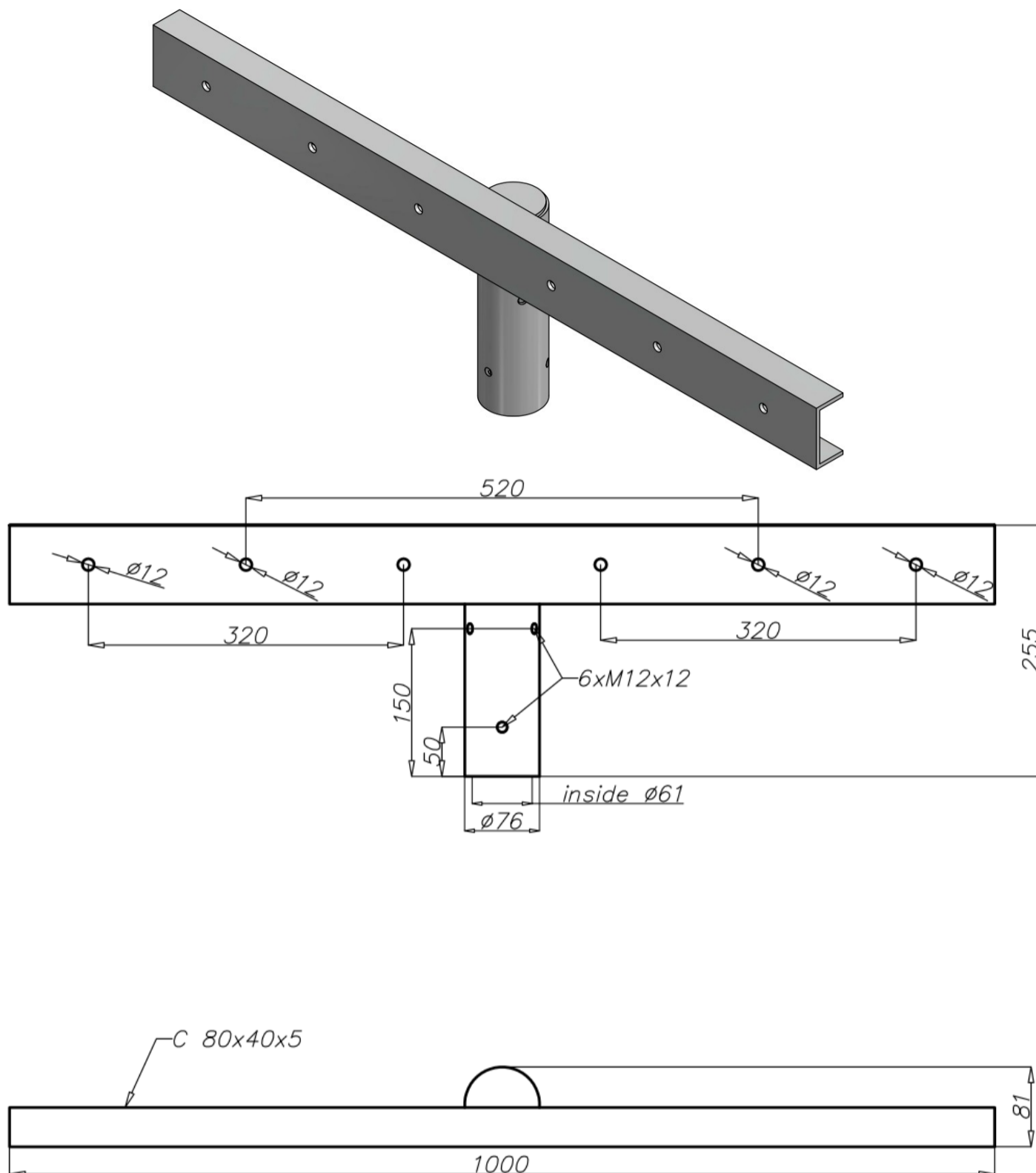


Aluminium extension arm WN-21



Technical data

Extension arm	WN-21
Product code	473210
Application	aluminium columns with ending $\phi 60 \times 180$
Arm quantity	2
Net weight [kg]	3,0
Windage [m^2]	0,09
Volume [m^3]	0,02
Assembling diameter of luminaire ϕ [mm]	x
Compatible luminaires	projektorzy

- anodising in 10 colours, each with possibility of brightening
- option of powder painting in RAL colours (other colours available on request)
- packing: sleeve material
- CE certificate valid for use on poles manufactured by ROSA company