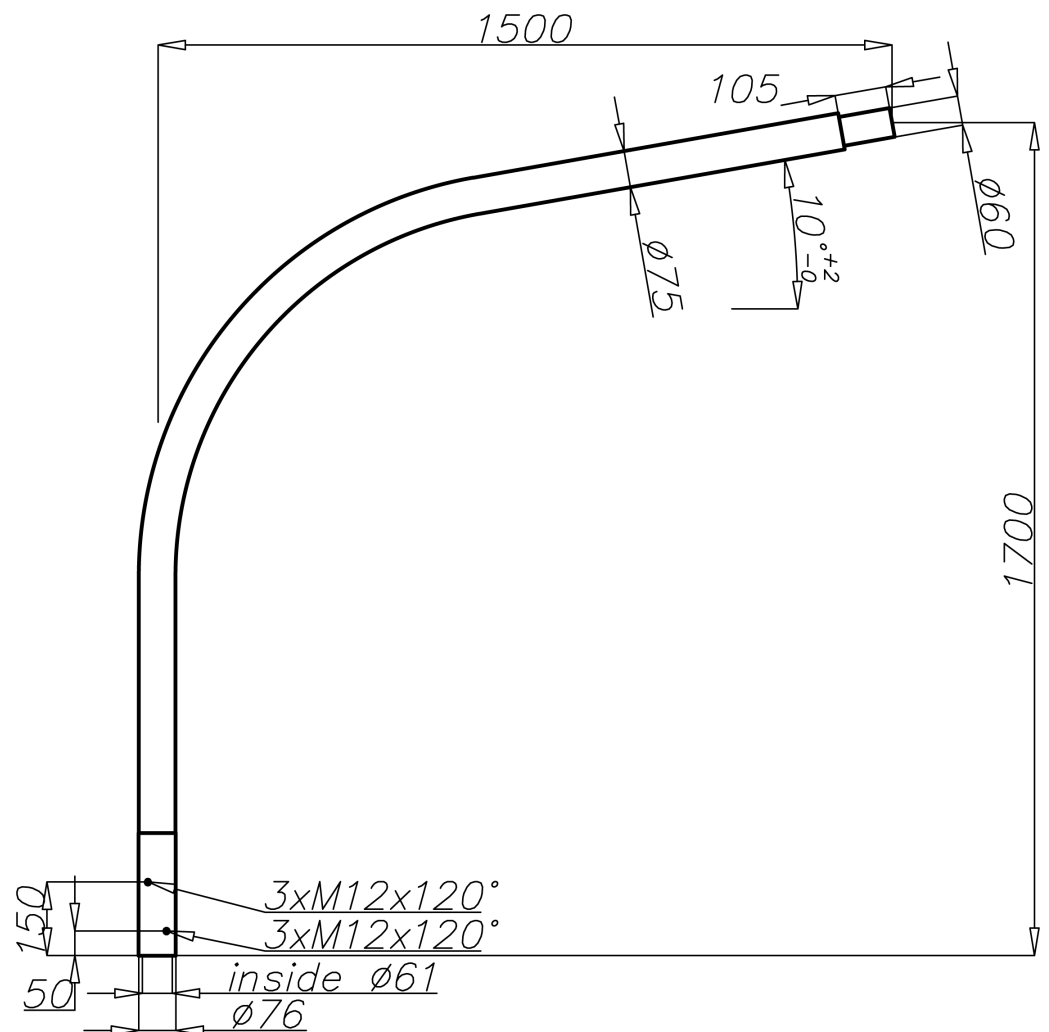


Aluminium extension arm WR-18A



Technical data

Extension arm	WR-18A
Product code	472811
Application	aluminium columns with ending $\phi 60 \times 180$
Arm quantity	1
Net weight [kg]	8,4
Windage [m ²]	0,202
Volume [m ³]	0,13
Assembling diameter of luminaire [mm]	$\phi 60$
Compatible luminaires	street luminaires

- anodising in 10 colours, each with possibility of brightening
- option of powder painting in RAL colours (other colours available on request)
- packing: sleeve material
- CE certificate valid for use on poles manufactured by ROSA company