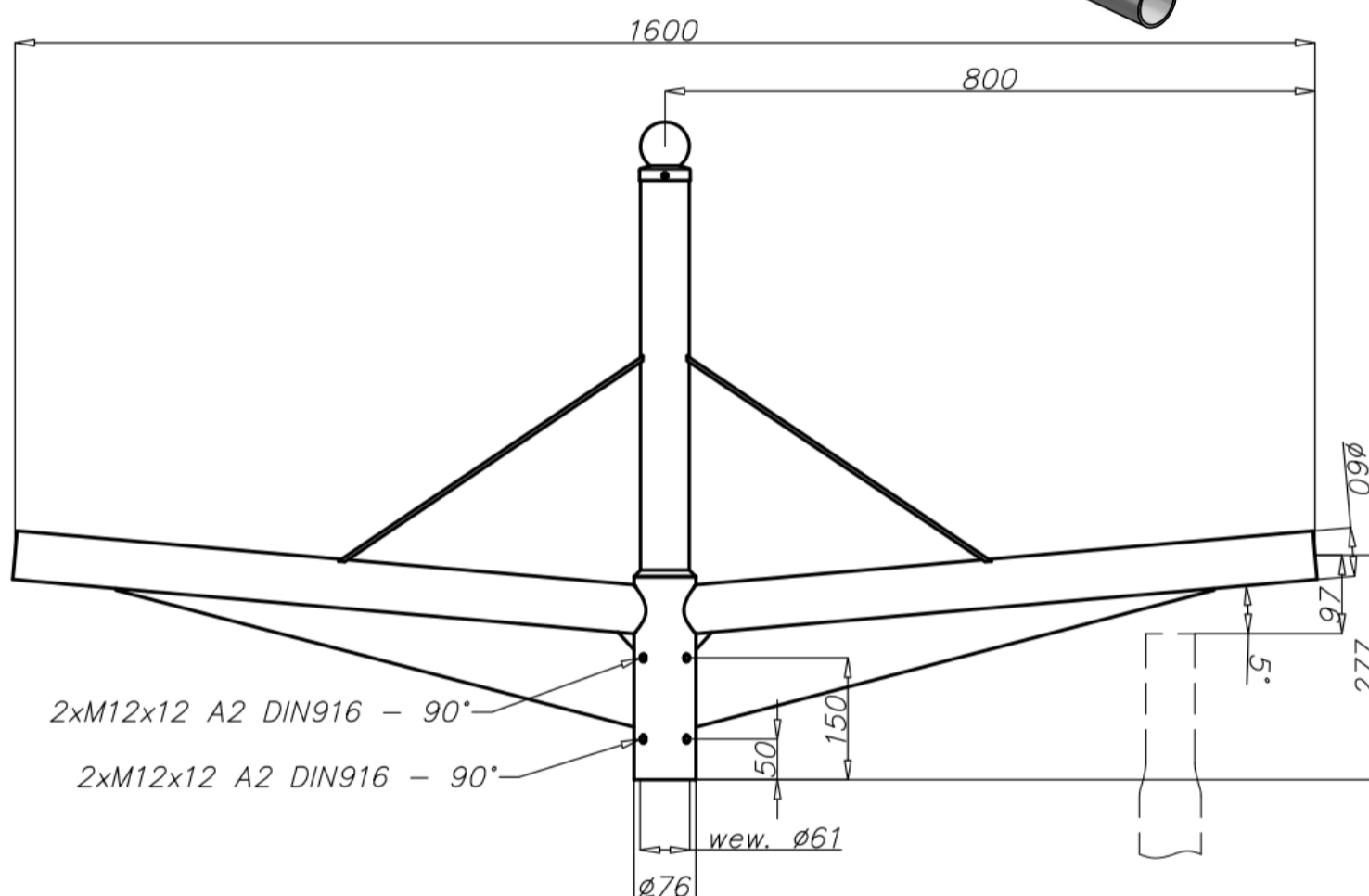
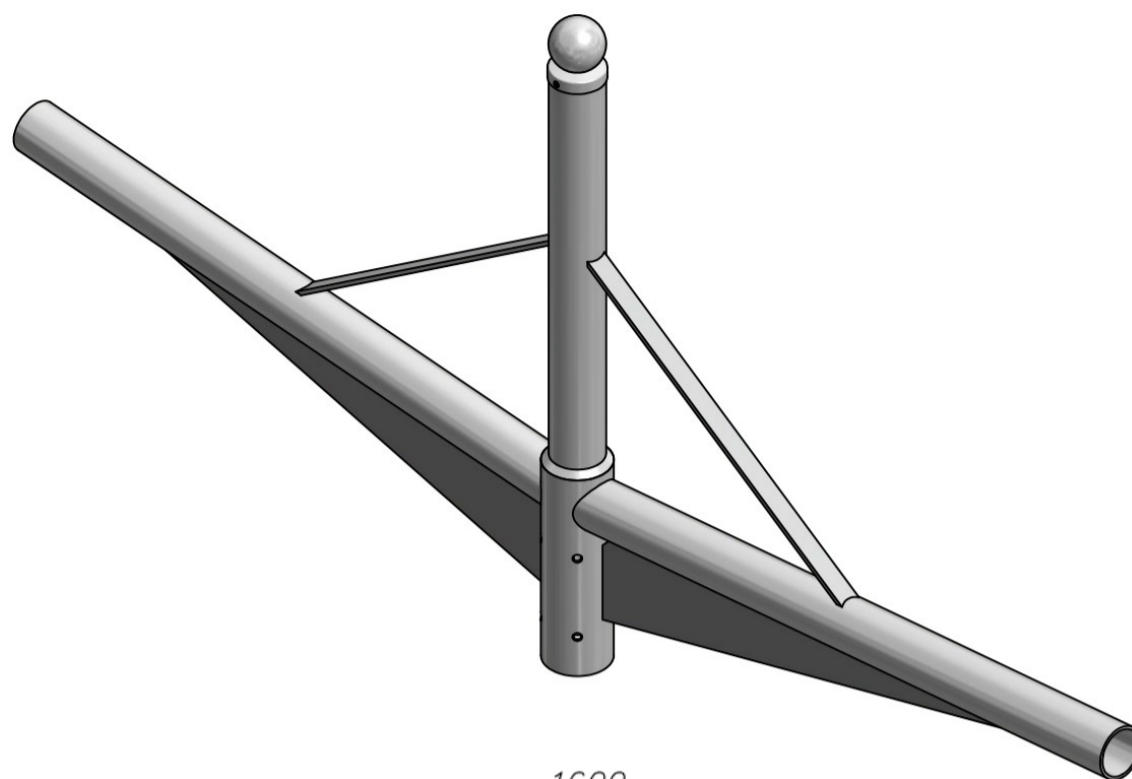


# Aluminium extension arm WR-13/2/0,8/5



## Technical data

Extension arm	WR-13/2/0,8/5
Product code	47213208
Application	aluminium columns with ending $\varnothing 60 \times 180$
Arm quantity	2
Net weight [kg]	5,2
Windage [m <sup>2</sup> ]	0,22
Volume [m <sup>3</sup> ]	0,07
Assembling diameter of luminaire [mm]	$\varnothing 60 \times 100$
Compatible luminaires	street luminaires

- anodising in 10 colours, each with possibility of brightening
- option of powder painting in RAL colours (other colours available on request)
- packing: sleeve material
- CE certificate valid for use on poles manufactured by ROSA company