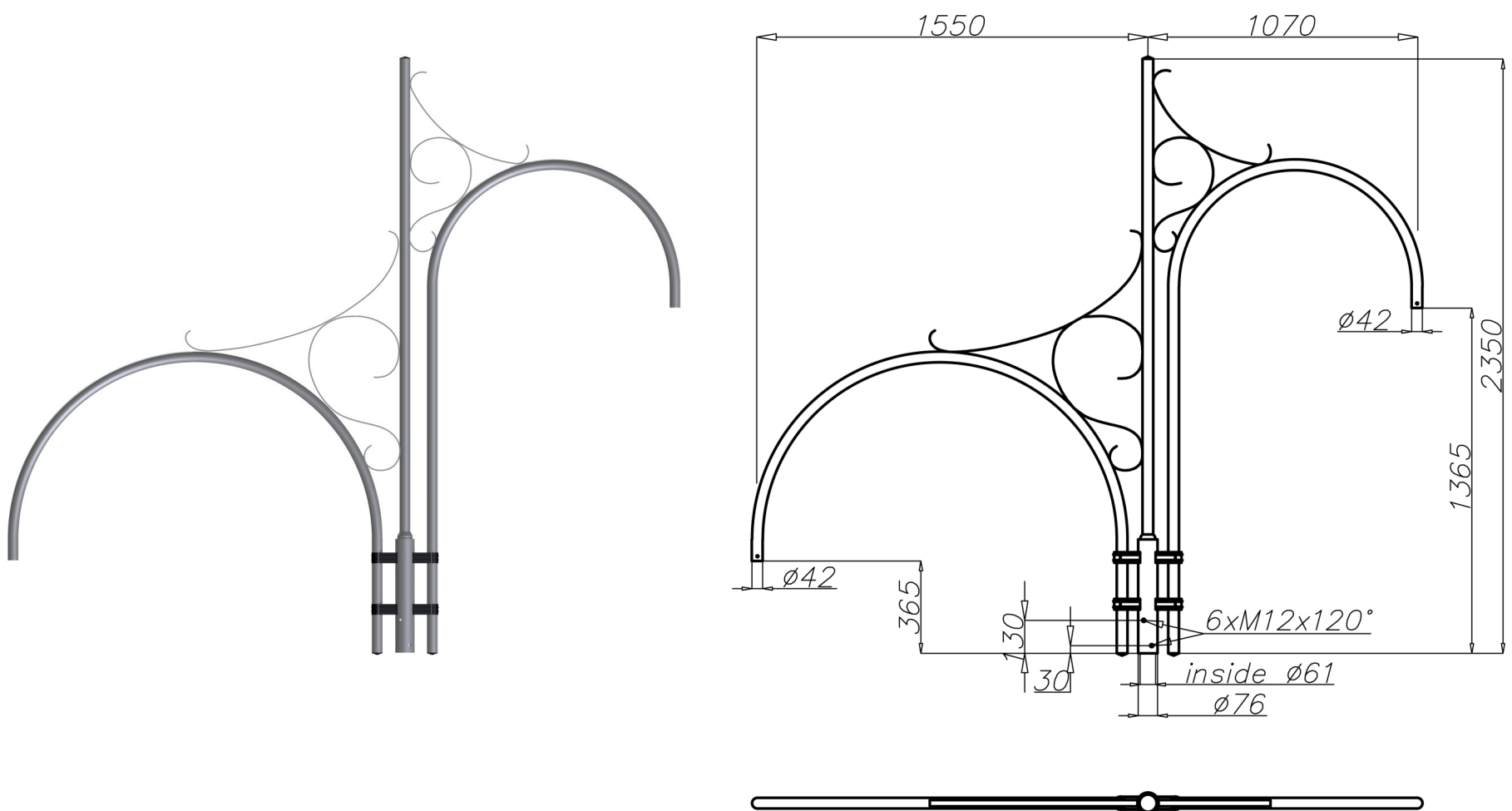


Aluminium extension arm WA-16/2



Technical data

Extension arm	WA-16/2
Product code	471162
Application	aluminium columns with ending $\varnothing 60 \times 180$
Arm quantity	2
Net weight [kg]	13,3
Windage [m ²]	0,392
Volume [m ³]	0,146
Assembling diameter of luminaire [mm]	42
Compatible luminaires	OW, OW-2, OPA

- anodising in 10 colours, each with possibility of brightening
- option of powder painting in RAL colours (other colours available on request)
- packing: sleeve material