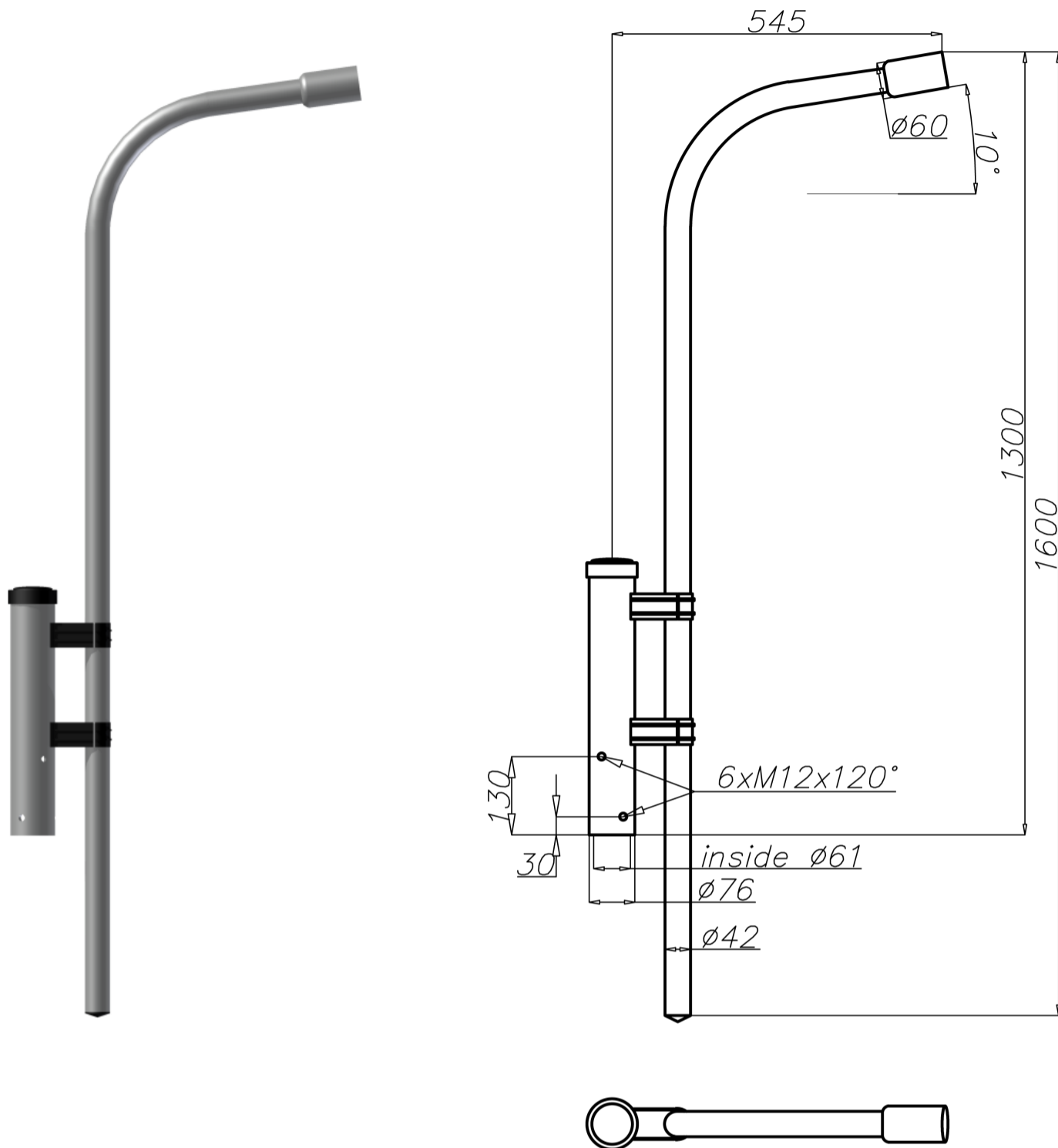


Aluminium extension arm WA-15/1 U



Technical data

Extension arm	WA-15/1 U
Product code	471150
Application	aluminium columns with ending Ø60x180
Arm quantity	1
Net weight [kg]	4,0
Windage [m ²]	0,12
Volume [m ³]	0,066
Assembling diameter of luminaire Ø [mm]	Ø 60
Compatible luminaires	street luminaires

- anodising in 10 colours, each with possibility of brightening
- option of powder painting in RAL colours (other colours available on request)
- packing: sleeve material