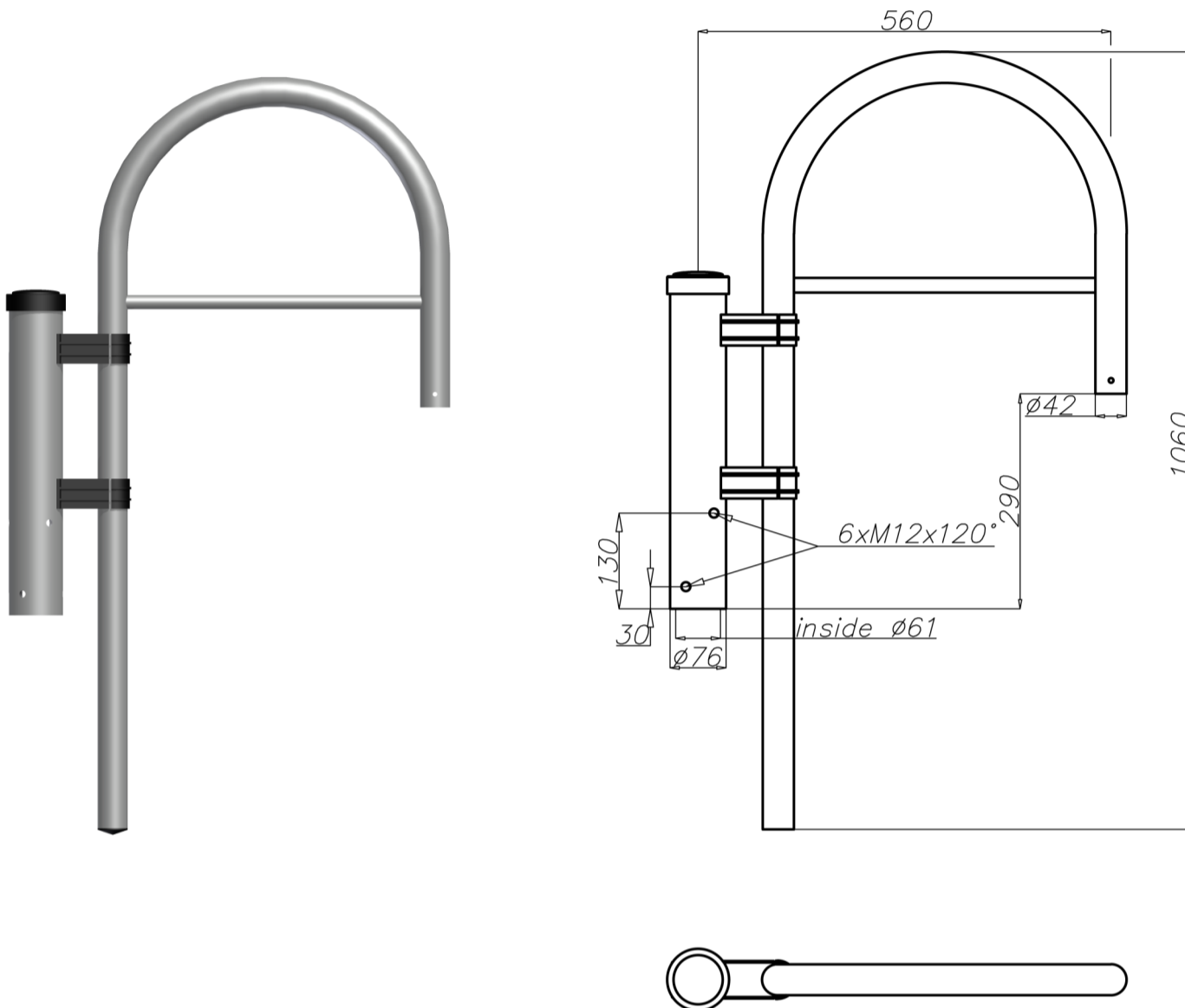


Aluminium extension arm WA-14/1



Technical data

Extension arm	WA-14/1
Product code	471141
Application	aluminium columns with ending $\varnothing 60 \times 180$
Arm quantity	1
Net weight [kg]	3,9
Windage [m ²]	0,12
Volume [m ³]	0,051
Assembling diameter of luminaire \varnothing [mm]	$\varnothing 42$
Compatible luminaires	OW, OPA, DROP

- anodising in 10 colours, each with possibility of brightening
- option of powder painting in RAL colours (other colours available on request)
- packing: sleeve material
- CE certificate valid for use on poles manufactured by ROSA company