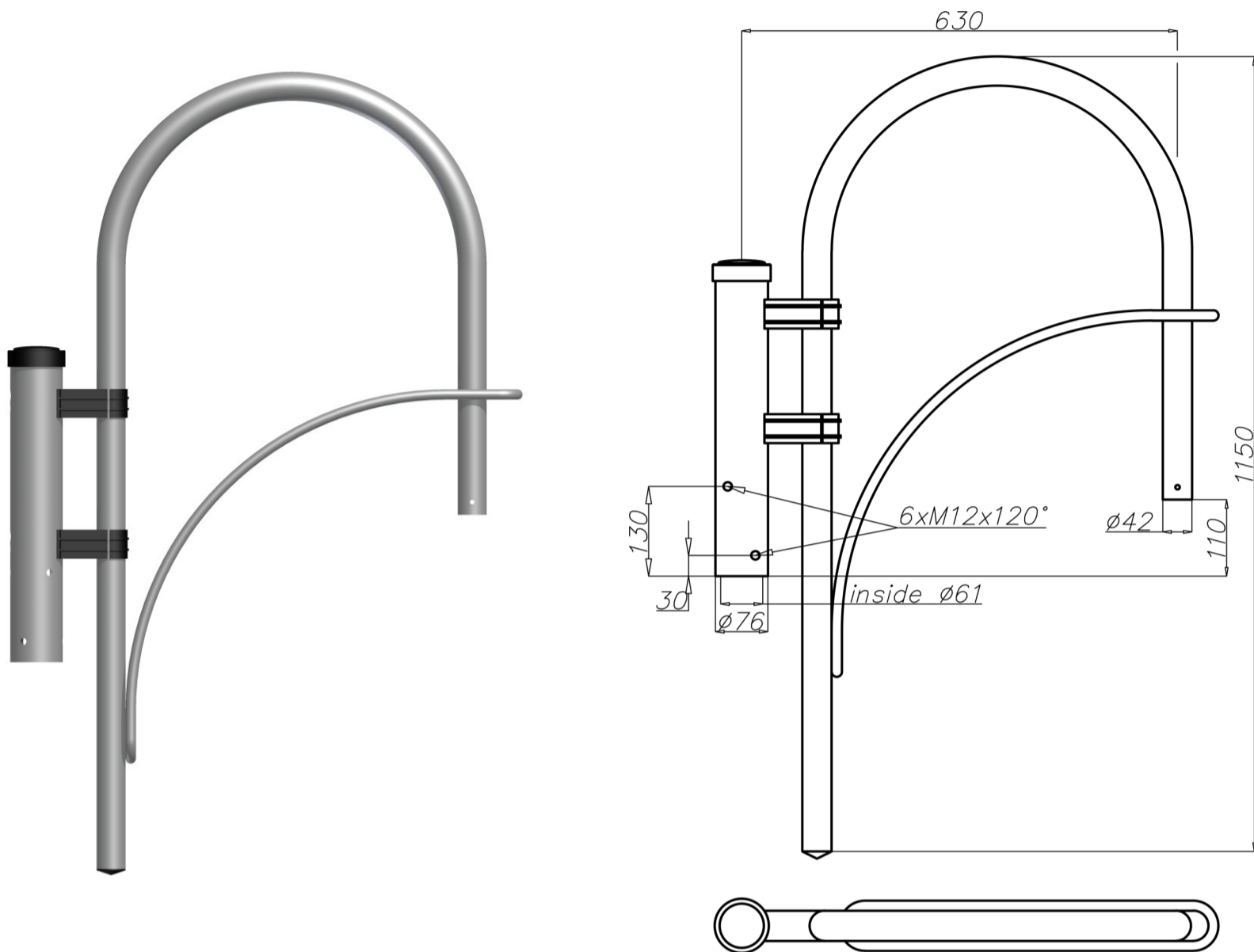


# Aluminium extension arm WA-11/1



## Technical data

Extension arm	WA-11/1
Product code	471111
Application	aluminium columns with ending $\varnothing 60 \times 180$
Arm quantity	1
Net weight [kg]	4,3
Windage [m <sup>2</sup> ]	0,138
Volume [m <sup>3</sup> ]	0,061
Assembling diameter of luminaire [mm]	$\varnothing 42$
Compatible luminaires	OPA, OW, DROP

- anodising in 10 colours, each with possibility of brightening
- option of powder painting in RAL colours (other colours available on request)
- packing: sleeve material
- CE certificate valid for use on poles manufactured by ROSA company