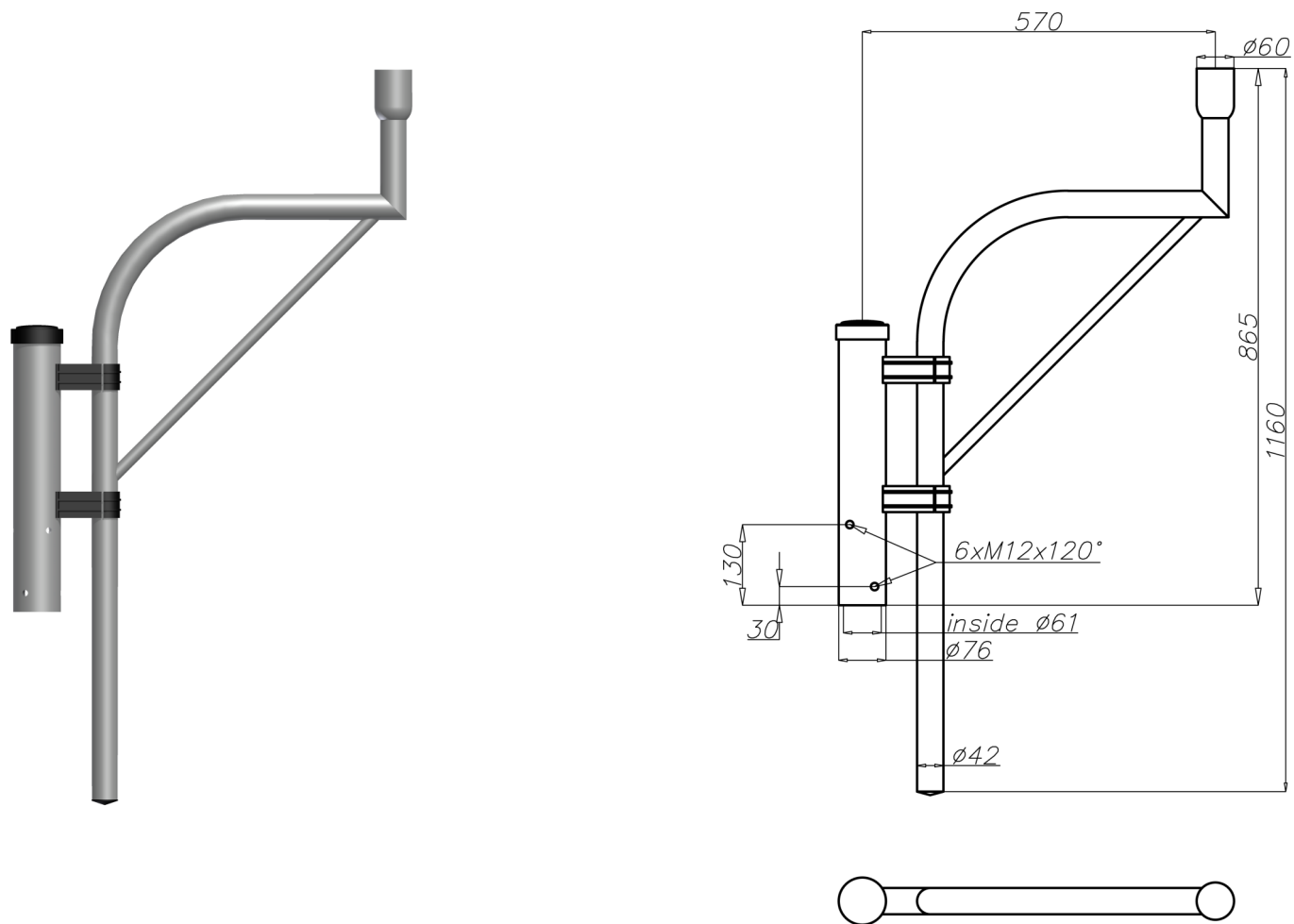


Aluminium extension arm WA-5/1



Technical data

Extension arm	WA-5/1
Product code	471051
Application	aluminium columns with ending $\varnothing 60 \times 180$
Arm quantity	1
Net weight [kg]	3,6
Windage [m ²]	0,116
Volume [m ³]	0,056
Assembling diameter of luminaire [mm]	$\varnothing 60$
Compatible luminaires	park luminaires with fixing $\varnothing 60$

- anodising in 10 colours, each with possibility of brightening
- option of powder painting in RAL colours (other colours available on request)
- packing: sleeve material
- CE certificate valid for use on poles manufactured by ROSA company