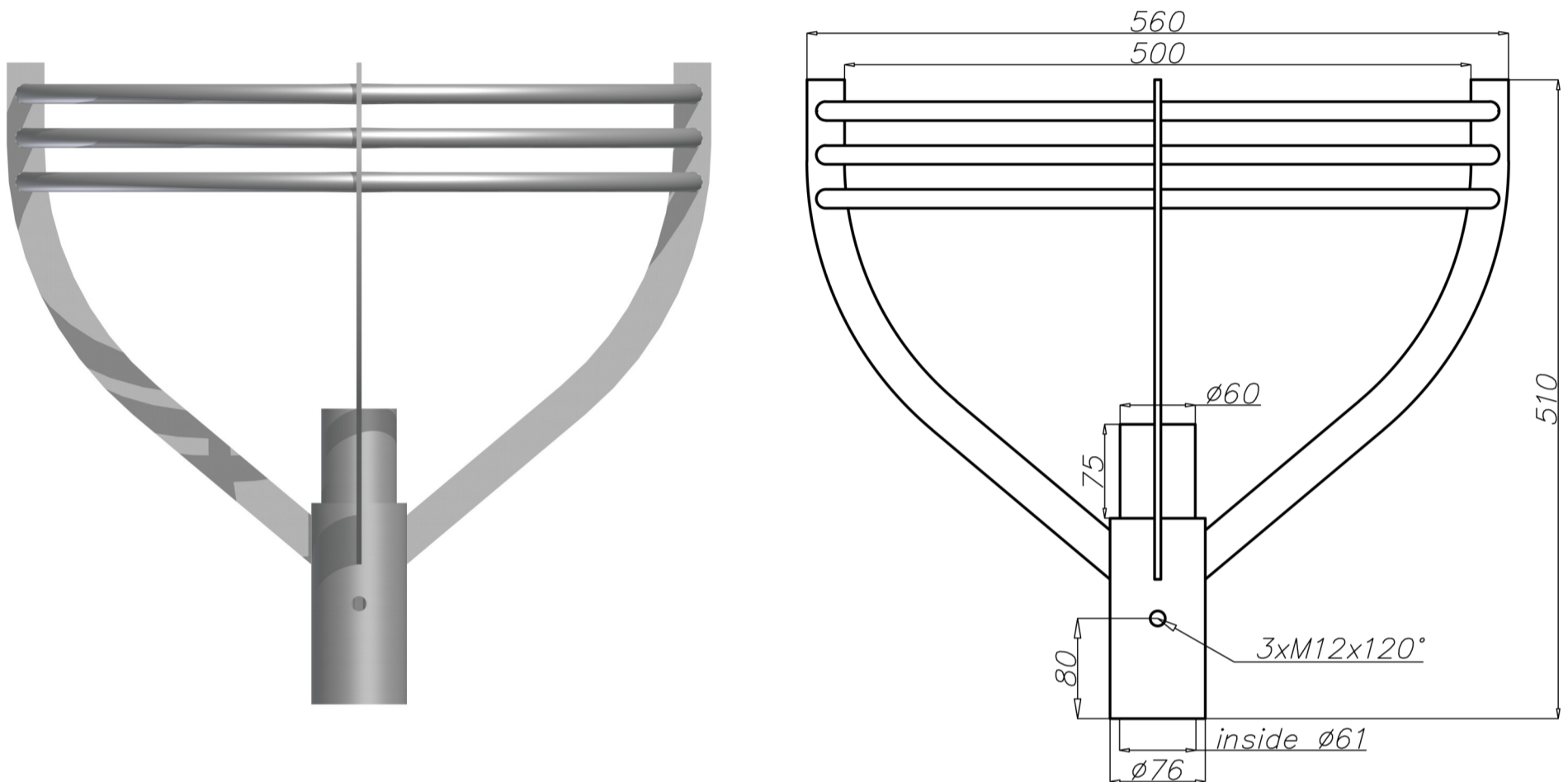


# Aluminium extension arm WA-01



## Technical data

Extension arm	WA-01
Product code	471010
Application	aluminium columns with ending $\phi 60 \times 130$
Arm quantity	1
Net weight [kg]	2,8
Windage [m <sup>2</sup> ]	0,068
Volume [m <sup>3</sup> ]	0,061
Assembling diameter of luminaire [mm]	$\phi 60$
Compatible luminaires	OPA-1

- anodising in 10 colours, each with possibility of brightening
- option of powder painting in RAL colours (other colours available on request)
- packing: sleeve material
- CE certificate valid for use on poles manufactured by ROSA company