



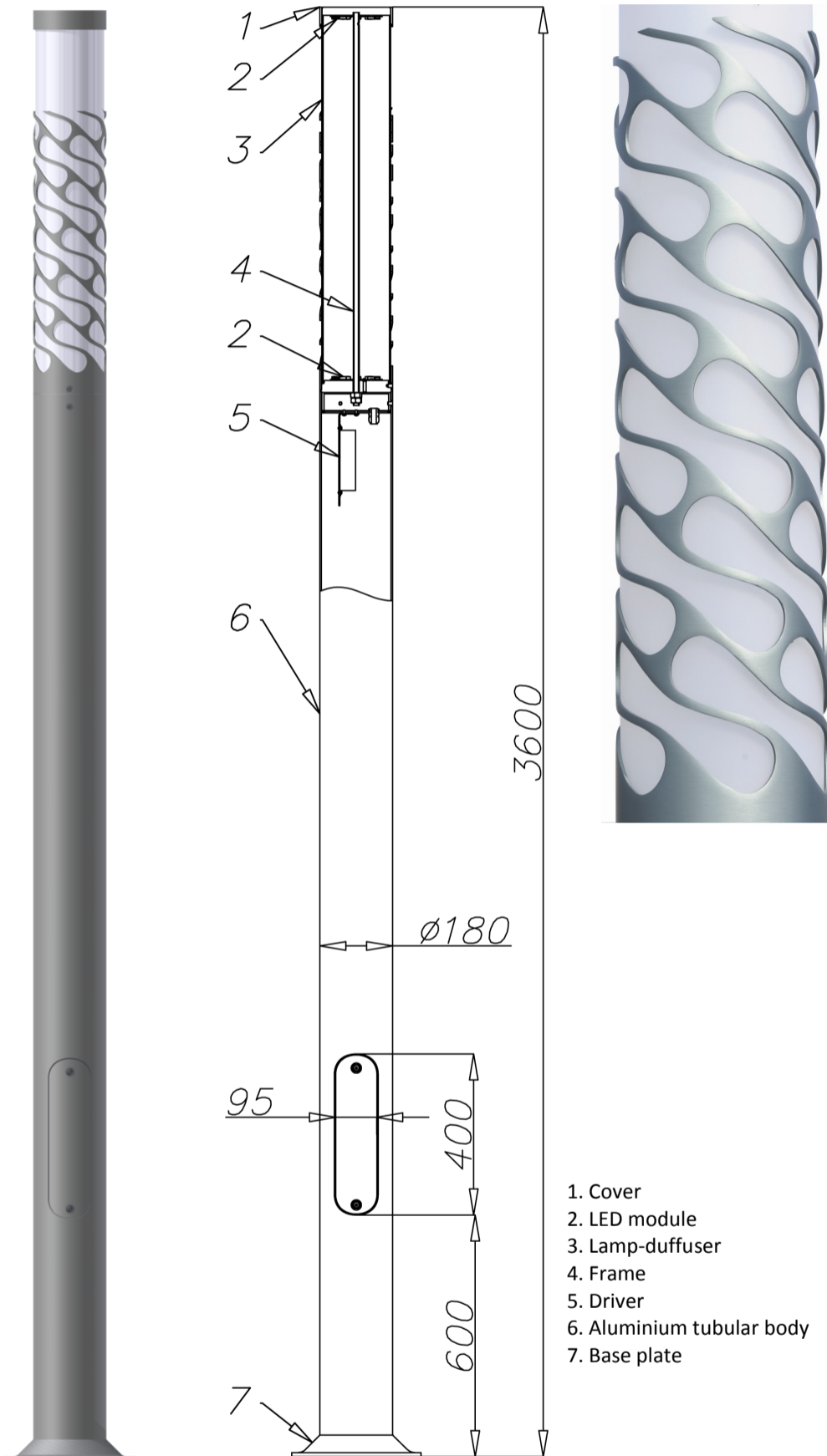
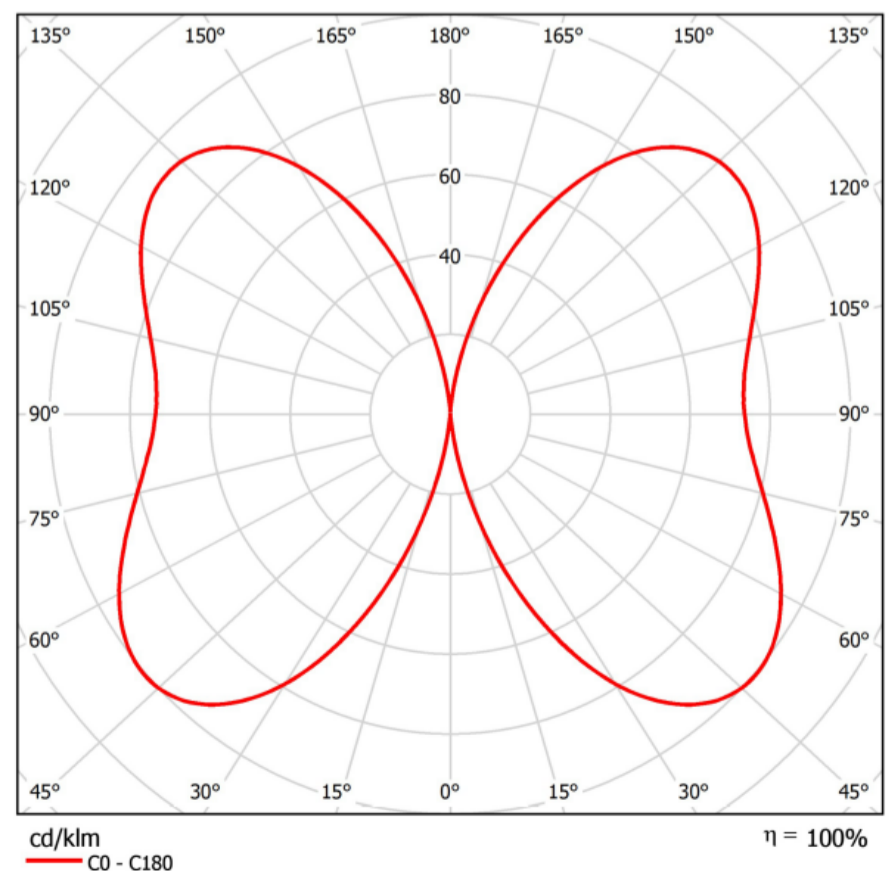
Technical data

Column	KARIN DECOR 3600 LED
Code	45251/6
Light temperature [K]	5 000
Protection degree IP	IP 65
Insulation class	II
LEDs power [W]	48
LEDs amount	24
LEDs type	CREE XT-E
Colour rendering index CRI	>75
Lifetime of L70 LEDs[h]	>50 000
Voltage [V]	220 - 240 AC
Frequency [Hz]	50/60
Luminous efficiency [lm/W]	59
Total power [W]	58
Luminous flux* [lm]	3 400
Supply current [mA]	700
Height [mm]	3 600
Diameter D [mm]	180
Base dimensions [mm]	320 x 320
Concrete footing / reinforcement basket	B-60 / Z-60
Material	aluminium cylindrical tube
Diffuser	PMMA
Diffuser colour	frozen

* due to the precision class of diodes tolerance is +/- 3%

- Low Voltage Directive LVD 2006/95/WE, norm PN-EN 60598-1
- Directive EMC 2004/108/WE, norms: PN-EN 55015, PN-EN 61547, PN-EN 61000-3-2, PN-EN 61000-3-3

Distribution curve KARIN DECOR 3600 LED



- surface: polished aluminium
- anodizing in 12 colours
- elastomer protection option in the color of the column to a height of 350 mm (other height on request)
- ROSA standard wiring chamber
- packing: sleeve material / bubble foil