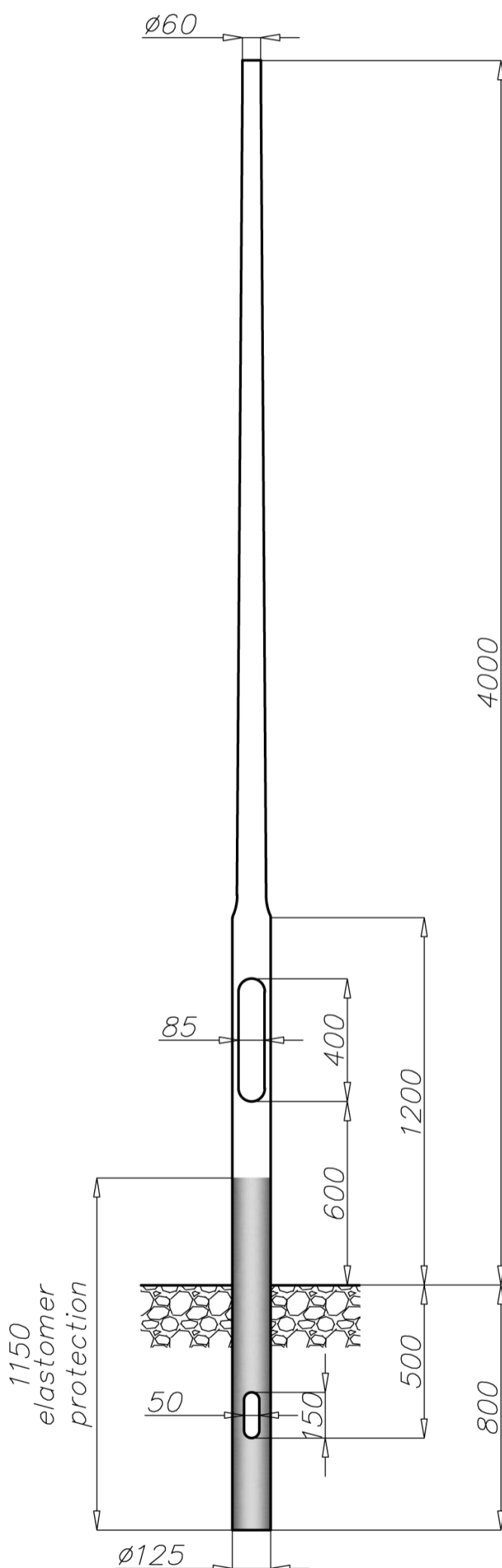


Aluminium column SAL DP-48 dz

diameter 125 mm the ground



Technical data

Aluminium Column	SAL DP-48 dz
Product code	42966
Column height H [m]	4
Wall thickness [mm]	3
Net weight [kg]	13,0
Volume [m ³]	0,034
Post top column	luminaires with $\varnothing 60$ spigot entry with weight and windage not exceeding data in resistance calculations
Rooted section h [m]	0,8

Resistance calculations

SAL DP-48 dz code 42966	acceptable windage of luminaires and extension arms [m ²] for Cx=1,0			
	Vref. = 22 m/s	Vref. = 24 m/s	Vref. = 26 m/s	Vref. = 28 m/s
acceptable mass of a single luminaire [kg]	I zone, II location category	I and III zone, II location category to 450m AMSL	II zone, II location category	III zone, II location category to 755m AMSL
20	0,6	0,51	0,39	0,35

- surface: polished aluminium
- anodising in 10 colours, each with possibility of brightening
- option of powder painting in RAL colours (other colours available on request)
- elastomer protection option in the color of the column to a height of 350 mm (other height on request)
- ROSA standard wiring chamber
- packing: sleeve material
- passive safety certificate 100NE2