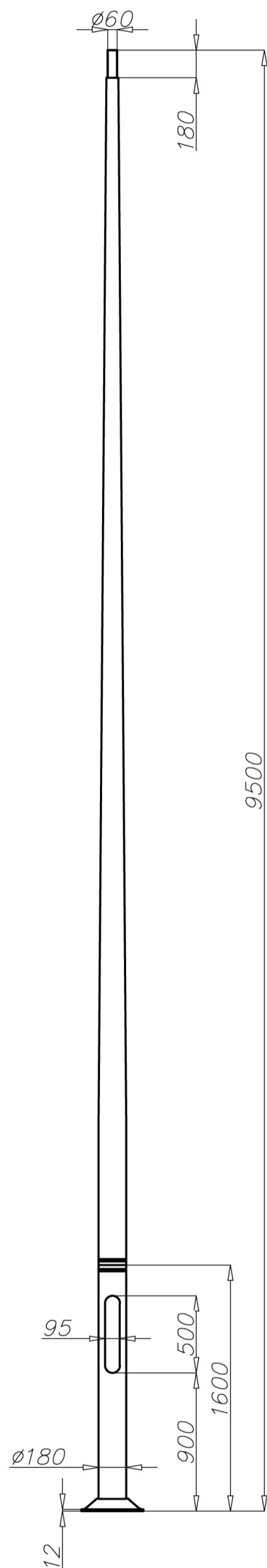


Aluminium column SAL-95 M/P

diameter 180 mm at the base plate



Technical data

Aluminium Column	SAL-95M/P
Product code	42932
Column height H [m]	9,5
Wall thickness [mm]	4,3
Net weight [kg]	57,6
Volume [m ³]	0,621
Post top column	luminaires with $\varnothing 60$ spigot entry with weight and windage not exceeding data in resistance calculations
Concrete footing / reinforcement basket	B-70 / Z-70
Concrete footing code/reinforcement basket code	311170/ 311207
Hot galvanized nut set /Hot galvanized ripable nut set	4012 / 4013

Resistance calculations

SAL-95M/P code 42932		acceptable windage of single luminaire [m ²] for $C_x=0,7$			
		Vref. = 22 m/s	Vref. = 24 m/s	Vref. = 26 m/s	Vref. = 28 m/s
extension arm type	acceptable weight of single luminaire	I zone, II location category	I and III zone, II location category to 450m AMSL	II zone, II location category	III zone, II location category to 755m AMSL
WR-1/1	15	0,68	0,56	0,40	0,35
WR-1/2	15	0,32	0,25	0,16	0,14
WR-2/1	15	0,54	0,43	0,29	0,25
WR-2/2	15	0,25	0,19	0,11	x
WR-2/3	15	0,18	0,13	x	x
WR-3/1	15	0,52	0,41	0,28	0,24
WR-3/2	15	0,24	0,18	0,10	x
WR-4/1	15	0,67	0,54	0,38	0,34
WR-4/2	15	0,32	0,25	0,16	0,14
WR-5A/1	15	0,54	0,43	0,29	0,24
WR-5A/2	15	0,24	0,18	0,10	x
WR-6A/1	15	0,72	0,58	0,41	0,36
WR-8A/1	15	0,56	0,44	0,30	0,25
WR-13/1	15	0,53	0,41	0,26	0,21
WR-13/2	15	0,21	0,14	x	x
WR-14/1	15	0,45	0,35	0,22	0,19
WR-14/2	15	0,18	0,12	x	x
WR-14/1/1,5/5	15	0,37	0,28	0,16	0,13
WR-14/2/1,5/5	15	0,13	x	x	x
WR-15/1	15	0,52	0,41	0,26	0,22
WR-15/2	15	0,25	0,18	x	x
WR-17/1	10	0,31	0,12	x	x
WR-18	14,5	0,33	0,22	0,12	x
WR-18A	14,5	0,25	0,16	x	x
WR-61	11	0,32	0,23	0,12	x

Aluminium column SAL-95 M/P

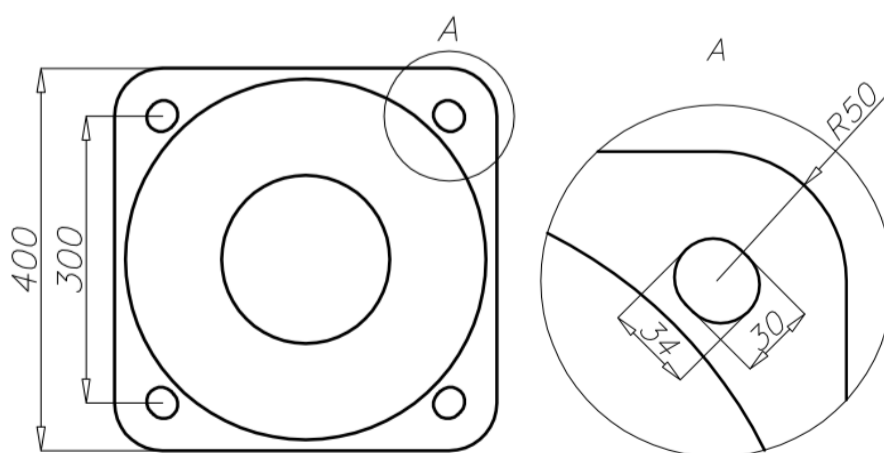
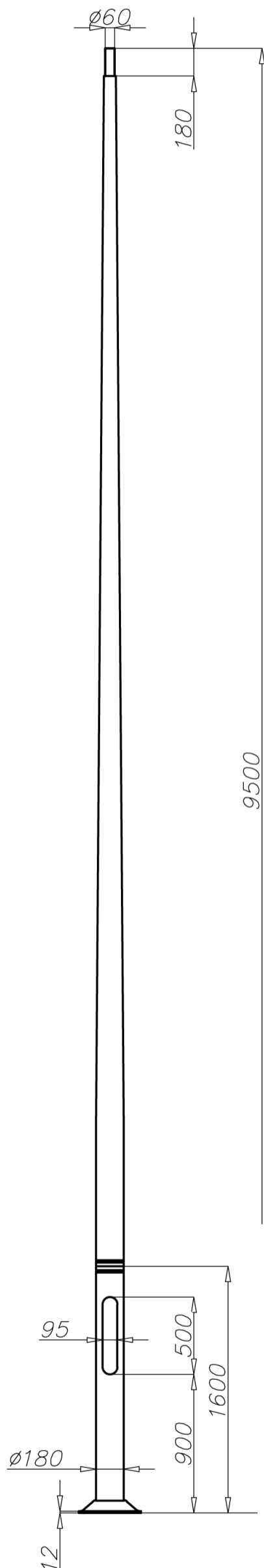
diameter 180 mm at the base plate



Resistance calculations

SAL-95M/P code 42932		acceptable windage of single luminaire [m ²] for C _x =0,7			
		Vref. = 22 m/s	Vref. = 24 m/s	Vref. = 26 m/s	Vref. = 28 m/s
extension arm type	acceptable weight of single luminaire	I zone, II location category	I and III zone, II location category to 450m AMSL	II zone, II location category	III zone, II location category to 755m AMSL
WR-T1/1,5	15	0,39	0,30	0,17	0,14
WR-T1/1,5	15	0,15	x	x	x
WRP1/1,0/0,7/5	15	0,49	0,39	0,25	0,21
WRP1/1,0/1,2/5	15	0,41	0,31	0,18	0,15
WRP1/1,5/0,7/5	15	0,41	0,31	0,19	0,15
WRP1/1,5/1,2/5	15	0,33	0,40	0,12	x
WRP2/1,0/0,7/5	15	0,23	0,17	x	x
WRP2/1,0/1,2/5	15	0,17	0,11	x	x
WRP2/1,5/0,7/5	15	0,18	0,12	x	x
WRP2/1,5/1,2/5	15	0,12	x	x	x
WRP3/1,0/0,7/5	13	0,19	0,14	x	x
WRP3/1,0/1,2/5	11,5	0,14	0,10	x	x
WRP3/1,5/0,7/5	12	0,16	0,11	x	x
WRP3/1,5/1,2/5	11	0,11	x	x	x
WN-1	15	0,59 (C _x =1)	0,48 (C _x =1)	0,35 (C _x =1)	0,31 (C _x =1)
WN-2	15	0,27 (C _x =1)	0,22 (C _x =1)	0,16 (C _x =1)	0,14 (C _x =1)
WN-21	15	0,23 (C _x =1)	0,18 (C _x =1)	0,12 (C _x =1)	0,10 (C _x =1)
WN-3	15	0,18 (C _x =1)	0,14 (C _x =1)	0,10 (C _x =1)	x
WN-4	11,5	0,18 (C _x =1)	0,15 (C _x =1)	0,10 (C _x =1)	x
WN-42	11,5	0,18 (C _x =1)	0,15 (C _x =1)	0,10 (C _x =1)	x

SAL-95M/P code 42932		acceptable windage of luminaires and extension arms [m ²] for C _x =1			
		Vref. = 22 m/s	Vref. = 24 m/s	Vref. = 26 m/s	Vref. = 28 m/s
acceptable mass of luminaires and extension arms [kg] - mounted on the height of 9,7m		I zone, II location category	I and III zone, II location category to 450m AMSL	II zone, II location category	III zone, II location category to 755m AMSL
30		0,60	0,49	0,36	0,33
50		0,54	0,44	0,32	0,29



- surface: polished aluminium
- anodising in 10 colours, each with possibility of brightening
- option of powder painting in RAL colours (other colours available on request)
- elastomer protection option in the color of the column to a height of 350 mm (other height on request)
- ROSA standard wiring chamber
- packing: sleeve material