

Aluminium column SAL-70/P

diameter 146 mm at the base plate

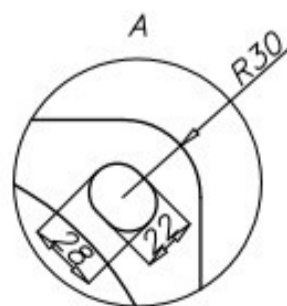
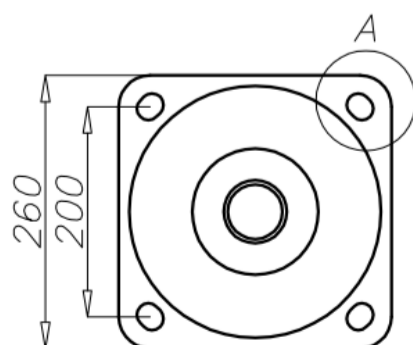
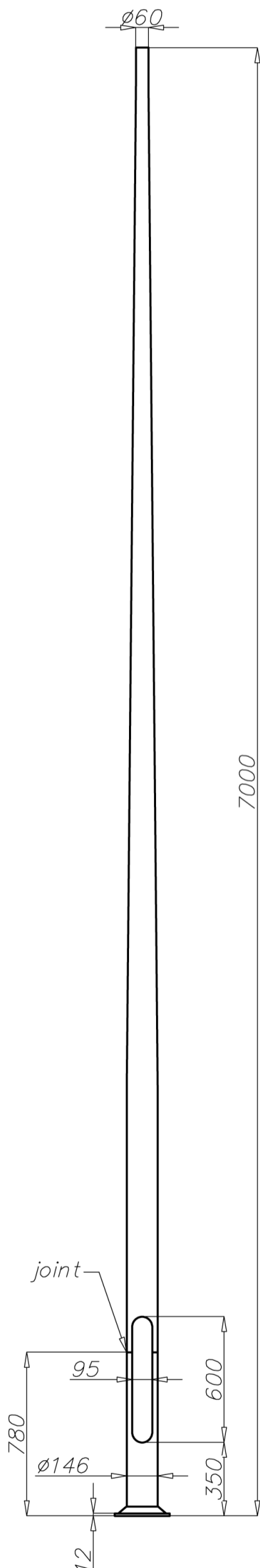

Technical data

Aluminium Column	SAL-70/P
Product code	42927
Column height H [m]	7,0
Wall thickness [mm]	4,2
Net weight [kg]	33,0
Volume [m ³]	0,203
Post top column	luminaires with $\varnothing 60$ spigot entry with weight and windage not exceeding data in resistance calculations
Concrete footing / reinforcement basket	B-51 A / Z-51 A
Concrete footing code/reinforcement basket code	311151A / 311251A
Hot galvanized nut set / Hot galvanized ripable nut set	4008 / 4009

Resistance calculations for 50 kg - expected max loading on height 2 m during lowering and raising in angle around 45°.

SAL-70/P code 42927		acceptable windage of single luminaire [m ²] for Cx=0,7			
		Vref. = 22 m/s	Vref. = 24 m/s	Vref. = 26 m/s	Vref. = 28 m/s
extension arm type	acceptable weight of single luminaire	I zone, II location category	I and III zone, II location category to 450m AMSL	II zone, II location category	III zone, II location category to 755m AMSL
WR-1/1	7,5	0,6	0,48	0,32	0,27
WR-4/1	7,5	0,6	0,48	0,32	0,27
WN-1	9	0,47(Cx=1)	0,38(Cx=1)	0,26(Cx=1)	0,23(Cx=1)
WA-01	7,5	0,41(Cx=1)	0,32(Cx=1)	0,21(Cx=1)	0,17(Cx=1)
WA-1	7,5	0,43(Cx=1)	0,34(Cx=1)	0,22(Cx=1)	0,19(Cx=1)
WA-2	6,5	0,37(Cx=1)	0,28(Cx=1)	0,17(Cx=1)	0,14(Cx=1)
WA-4	4	0,33(Cx=1)	0,24(Cx=1)	0,13(Cx=1)	x
WA-8/1	6	0,37(Cx=1)	0,28(Cx=1)	0,16(Cx=1)	0,13(Cx=1)
WA-14/1	6,5	0,4(Cx=1)	0,3(Cx=1)	0,17(Cx=1)	0,14(Cx=1)
WA-15/1 P	6,5	0,39(Cx=1)	0,29(Cx=1)	0,17(Cx=1)	0,14(Cx=1)

SAL-70/P code 42927		acceptable windage of luminaires and extension arms [m ²] for Cx=1			
		Vref. = 22 m/s	Vref. = 24 m/s	Vref. = 26 m/s	Vref. = 28 m/s
acceptable mass of luminaires and extension arms [kg] - mounted on the height of 7,2m		I zone, II location category	I and III zone, II location category to 450m AMSL	II zone, II location category	III zone, II location category to 755m AMSL
10		0,51(Cx=1)	0,42(Cx=1)	0,3(Cx=1)	0,26(Cx=1)



- surface: polished aluminium
- anodising in 10 colours, each with possibility of brightening
- option of powder painting in RAL colours (other colours available on request)
- elastomer protection option in the color of the column to a height of 350 mm (other height on request)
- ROSA standard wiring chamber
- packing: sleeve material