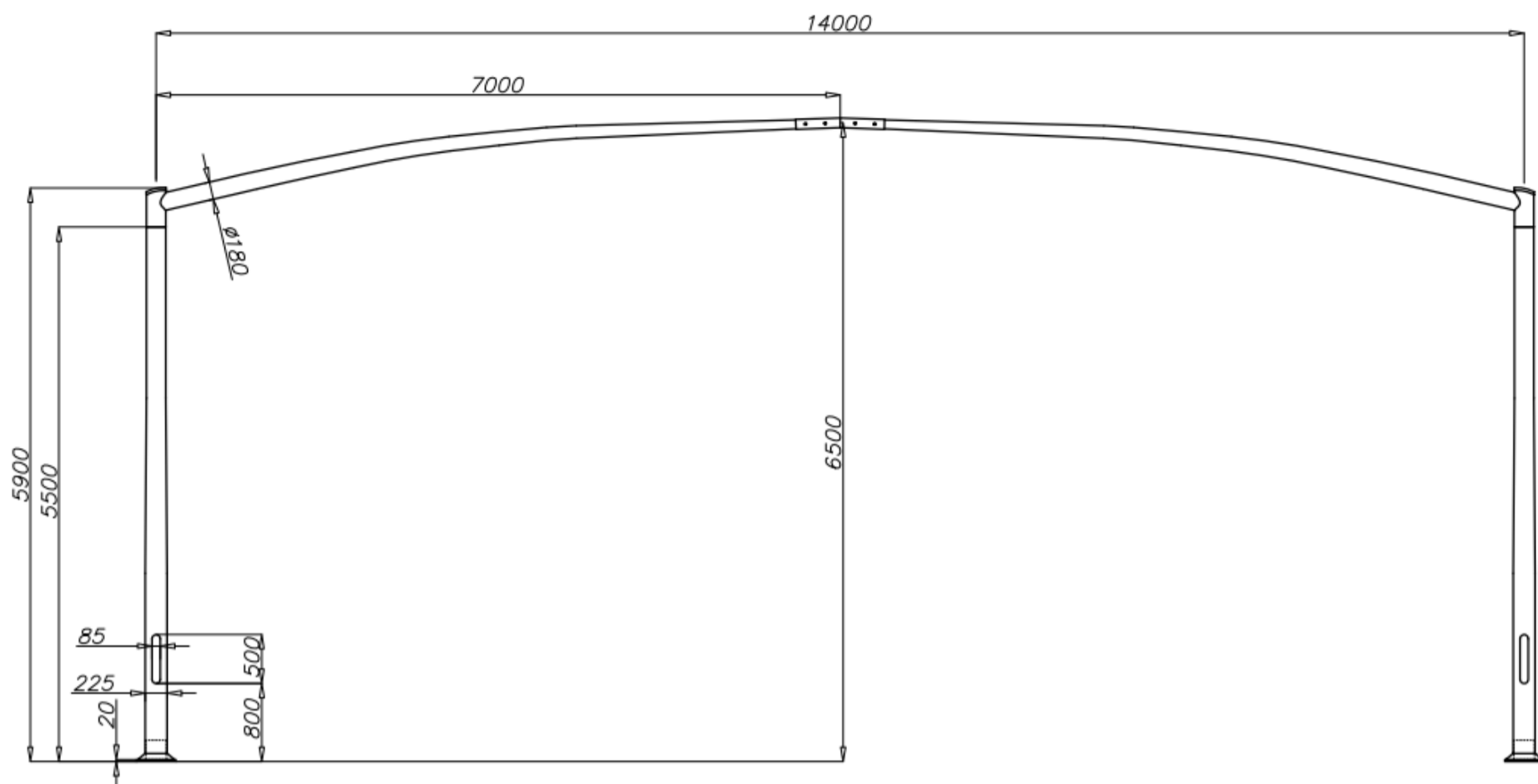


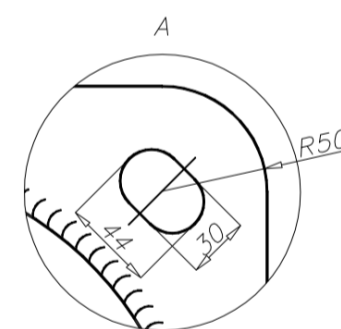
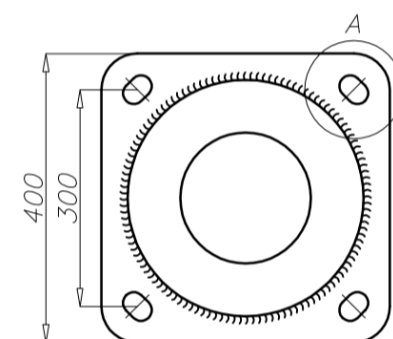
# Aluminium column SAL SYG 14

diameter 225 mm at the base plate



## Technical data

Aluminium Column	SAL SYG 14
Product code	42831
Column height H [m]	6,5
Wall thickness [mm]	5
Net weight [kg]	243,1
Volume [m <sup>3</sup> ]	2,08
Post top column	traffic signal lights and signs with weight and windage not exceeding data in resistance calculations
Concrete footing / reinforcement basket	B-80 / Z-80
Concrete footing code / reinforcement basket code	311180/311208
Hot galvanized nut set /Hot galvanized ripable nut	4012/4014



## Resistance calculations

SAL SYG 14 code 42831	acceptable windage of traffic signal lights and signs [m <sup>2</sup> ] for Cx=1,2			
	Vref. = 22 m/s	Vref. = 24 m/s	Vref. = 26 m/s	Vref. = 28 m/s
acceptable mass of single traffic signal light [kg]	I zone, III location category	I and III zone, III location category to 450m AMSL	II zone, III location category	III zone, III location category to 755m AMSL
25 x 4	1,63m <sup>2</sup> x 4	1,44m <sup>2</sup> x 4	1,15m <sup>2</sup> x 4	1,06m <sup>2</sup> x 4

### Notice:

Traffic signal light has got windage:

- for lens diameter 210: 0,22 m<sup>2</sup>,
- for lens diameter 300: 0,39 m<sup>2</sup>.

Traffic signal light with screen dimensions 1,4m x 0,85m has got windage 1,19 m<sup>2</sup>.

- surface: polished aluminium
- anodising in 10 colours, each with possibility of brightening
- option of powder painting in RAL colours (other colours available on request)
- elastomer protection option in the color of the column to a height of 350 mm (other height on request)
- packing: sleeve material