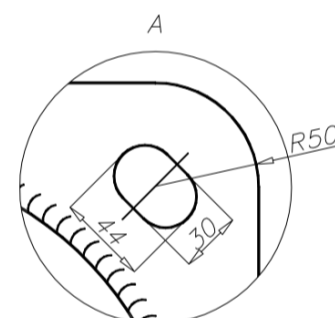
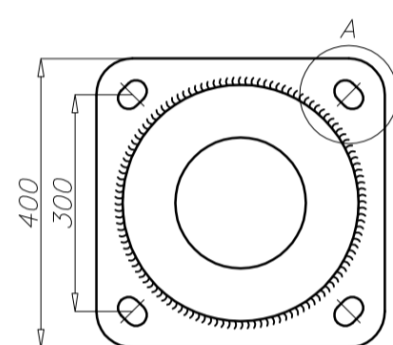
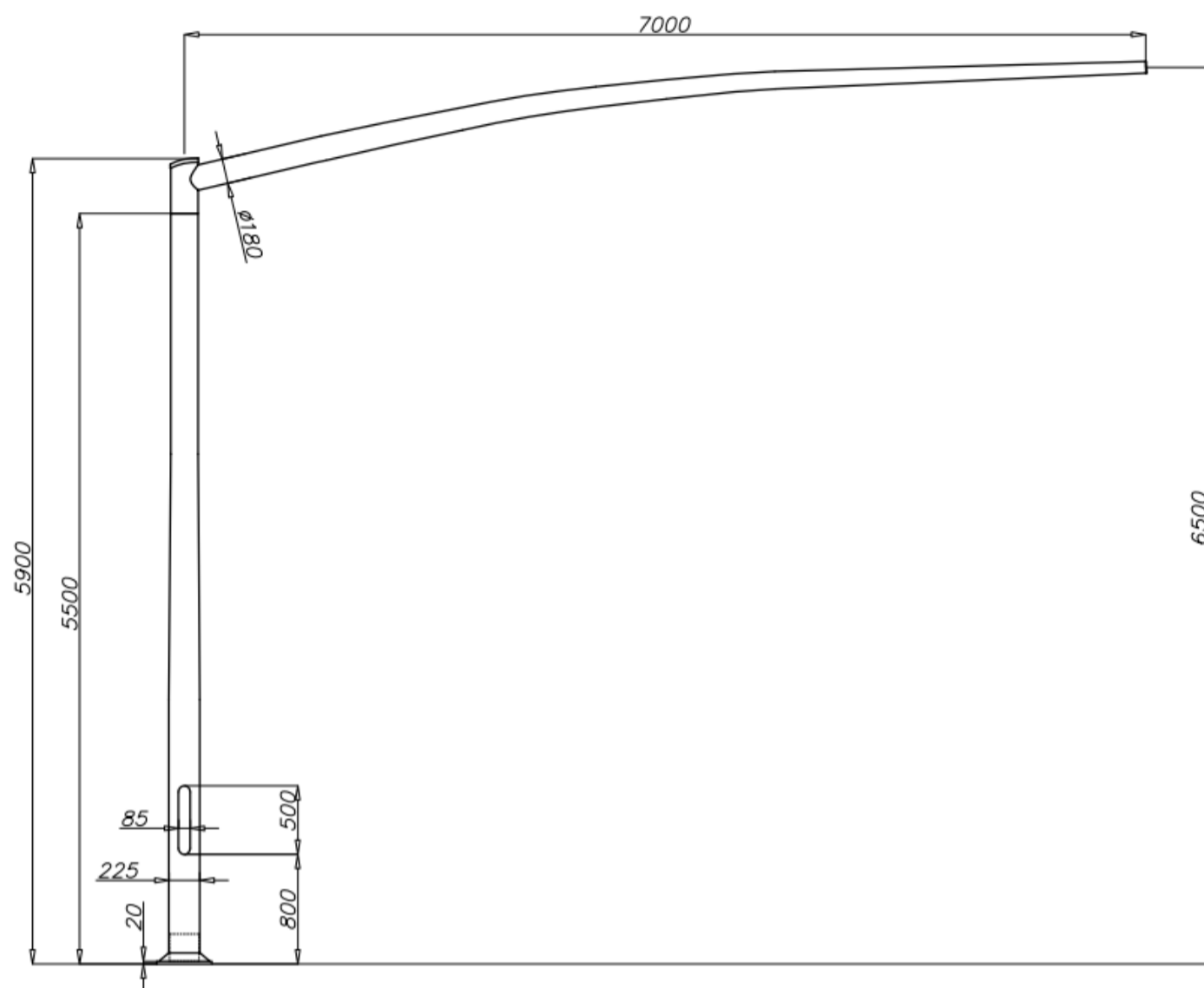


Aluminium column SAL SYG 65-7

diameter 225 mm at the base plate



Technical data

| | |
|--|---|
| Aluminium Column | SAL SYG 65-7 |
| Product code | 42811 |
| Column height H [m] | 6,5 |
| Wall thickness [mm] | 5 |
| Net weight [kg] | 119,4 |
| Volume [m ³] | 1,04 |
| Post top column | traffic signal lights and signs with weight and windage not exceeding data in resistance calculations |
| Concrete footing / reinforcement basket | B-80 / Z-80 |
| Concrete footing code / reinforcement basket code | 311180/311208 |
| Hot galvanized nut set /Hot galvanized ripable nut set | 4012/4014 |

Resistance calculations

| SAL SYG 65-7 code 42811 | acceptable windage of traffic signal lights and signs [m ²] for Cx=1,2 | | | |
|---|--|---|-----------------------------------|---|
| | Vref. = 22 m/s | Vref. = 24 m/s | Vref. = 26 m/s | Vref. = 28 m/s |
| acceptable mass of single traffic signal light [kg] | I zone, III location category | I and III zone, III location category to 450m AMSL | II zone, III location category | III zone, III location category to 755m AMSL |
| 30 | 1,45 | 1,27 | 1,02 | 0,94 |
| 25x2 | 0,8m ² x 2 | 0,7m ² x 2 | 0,56m ² x 2 | 0,52m ² x 2 |

Notice:

Traffic signal light has got windage:

- for lens diameter 210: 0,22 m²,
- for lens diameter 300: 0,39 m².

Traffic signal light with screen dimensions 1,4m x 0,85m has got windage 1,19 m².

- surface: polished aluminium
- anodising in 10 colours, each with possibility of brightening
- option of powder painting in RAL colours (other colours available on request)
- elastomer protection option in the color of the column to a height of 350 mm (other height on request)
- packing: sleeve material