

Aluminium column MAL-16

diameter 225 mm at the base plate



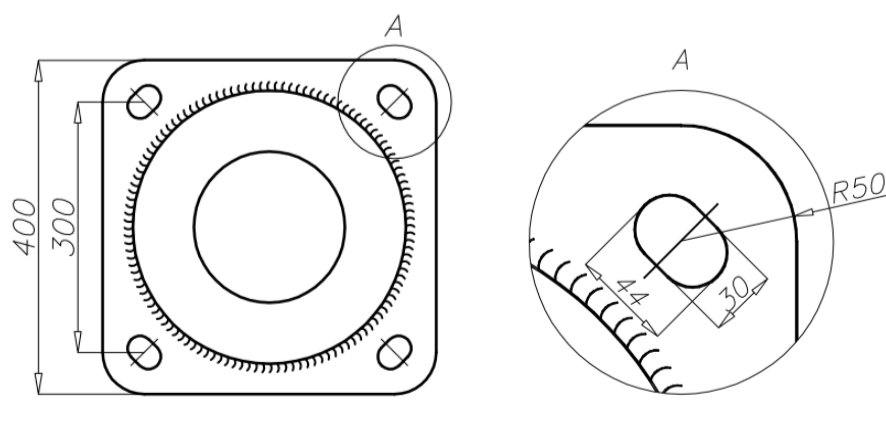
Technical data

Aluminium Column	MAL-16
Product code	42508
Column height H [m]	16
Wall thickness [mm]	5
Net weight [kg]	115,2
Volume [m ³]	0,78
Post top column	luminaires with $\varnothing 100$ spigot entry with weight and windage not exceeding data in resistance calculations
Compatible extension arms	according to resistance calculations
Concrete footing / reinforcement basket	B-80 / Z-80
Concrete footing code/reinforcement basket code	311180 / 311208
Hot galvanized nut set /Hot galvanized ripable nut set	4012

Resistance calculations

MAL-16 code 42508		acceptable windage of single luminaire [m ²] for Cx=1			
		Vref. = 22 m/s	Vref. = 24 m/s	Vref. = 26 m/s	Vref. = 28 m/s
extension arm type	acceptable weight of single luminaire	I zone, II location category	I and III zone, II location category to 450m AMSL	II zone, II location category	III zone, II location category to 755m AMSL
WM-1	15	0,37	0,28	0,18	0,15
WM-2	15	0,14	0,10	x	x
WM-21	15	0,11	x	x	x

MAL-16 code 42508		acceptable windage of luminaires and extension arms [m ²] for Cx=1			
		Vref. = 22 m/s	Vref. = 24 m/s	Vref. = 26 m/s	Vref. = 28 m/s
acceptable mass of luminaires and extension arms [kg]		I zone, II location category	I and III zone, II location category to 450m AMSL	II zone, II location category	III zone, II location category to 755m AMSL
40		0,34	0,27	0,17	0,14
90		0,23	0,17	x	x



- surface: polished aluminium
- anodising in 10 colours, each with possibility of brightening
- option of powder painting in RAL colours (other colours available on request)
- elastomer protection in the colour of the column to a height of 350 mm (other height on request)
- ROSA standard wiring chamber
- packing: sleeve material

