

Aluminium column SAL-P81

diameter 176 mm at the base plate



Technical data

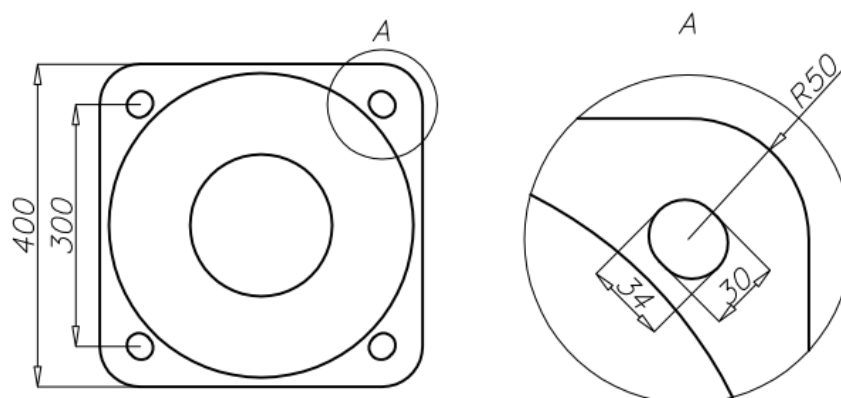
Aluminium Column	SAL-P81
Product code	42489
Column height H [m]	10,3
Wall thickness [mm]	4,3
Net weight [kg]	58,8
Volume [m ³]	0,803
Post top column	luminaires with $\varnothing 60$ spigot entry with weight and windage not exceeding data in resistance calculations
Concrete footing / reinforcement basket	B-70 / Z-70
Concrete footing code / reinforcement basket code	311170 / 311207
Hot galvanized nut set / Hot galvanized ripable nut set	4012 / 4013

Resistance calculations

SAL-P81 code 42489	acceptable windage of single luminaire [m ²] for $C_x=0,7$			
	Vref. = 22 m/s	Vref. = 24 m/s	Vref. = 26 m/s	Vref. = 28 m/s
acceptable mass of a single luminaire [kg]	I zone, III location category	I and III zone, III location category to 450m AMSL	II zone, III location category	III zone, III location category to 755m AMSL
15	0,44	0,33	0,18	0,13

SAL-P81 code 42489	acceptable windage of single luminaire [m ²] for $C_x=0,7$			
	Vref. = 22 m/s	Vref. = 24 m/s	Vref. = 26 m/s	Vref. = 28 m/s
acceptable mass of a single luminaire [kg]	I zone, II location category	I and III zone, II location category to 450m AMSL	II zone, II location category	III zone, II location category to 755m AMSL
15	0,28	0,19	x	x

- surface: polished aluminium
- anodising in 10 colours, each with possibility of brightening
- option of powder painting in RAL colours (other colours available on request)
- elastomer protection option in the color of the column to a height of 350 mm (other height on request)
- ROSA standard wiring chamber
- packing: sleeve material
- passive safety certificate 100NE2



SAL connector

 $\varnothing 120$

1500

 $\varnothing 60$

5

6300

10000

95

 $\varnothing 176$

400

300

600

12