

Aluminium column SAL-10,8 wzm

diameter 176 mm at the base plate

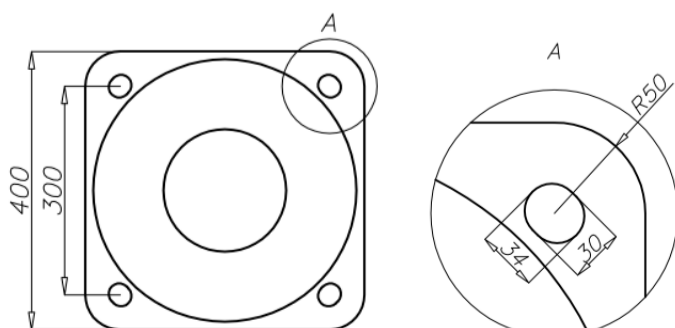
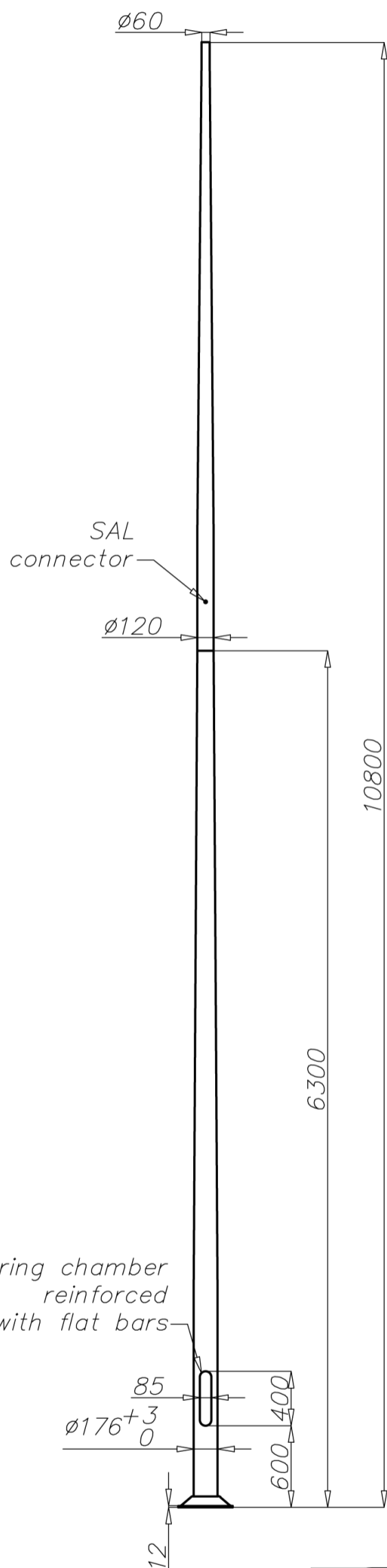

Technical data

Aluminium Column	SAL-10,8 wzm
Product code	42479
Column height H [m]	10,8
Height of the bottom part h1 + E [m]	6,3 + 0,35
Thickness wall of bottom part [mm]	5,2
Height of upper part h2 [m]	4,5
Thickness wall of upper part [mm]	4
Net weight [kg]	63,2
Volume [m ³]	0,513
Post top column	luminaires with $\varnothing 60$ spigot entry with weight and windage not exceeding data in resistance calculations
Compatible extension arms	according to resistance calculations
Concrete footing / reinforcement basket	B-70 / Z-70
Concrete footing code/reinforcement basket code	311170 / 311207
Hot galvanized nut set /Hot galvanized ripable nut set	4012 / 4013

Resistance calculations

SAL-10,8 wzm code 42479		acceptable windage of single luminaire [m ²] for Cx=0,7			
		Vref. = 22 m/s	Vref. = 24 m/s	Vref. = 26 m/s	Vref. = 28 m/s
extension arm type	acceptable weight of single luminaire	I zone, II location category	I and III zone, II location category to 450m AMSL	II zone, II location category	III zone, II location category to 755m AMSL
WR-1/1	15	0,81	0,65	0,45	0,39
WR-1/2	15	0,34	0,26	0,17	0,14
WR-2/1	15	0,69	0,54	0,35	0,30
WR-2/2	15	0,27	0,20	x	x
WR-2/3	10	0,21	0,15	x	x
WR-3/1	15	0,67	0,52	0,34	0,29
WR-3/2	15	0,27	0,20	x	x
WR-3/3	10	0,21	0,15	x	x
WR-4/1	15	0,79	0,63	0,43	0,38
WR-4/2	15	0,34	0,26	0,17	0,14
WR-13/1	15	0,65	0,49	0,3	0,24
WR-13/2	15	0,23	0,15	x	x
WR-15/1	15	0,67	0,51	0,32	0,27
WR-15/2	15	0,27	0,19	x	x
WR-61	15	0,46	0,30	0,16	x
WN-1	15	0,64 (Cx=1)	0,52 (Cx=1)	0,37 (Cx=1)	0,33 (Cx=1)
WN-2	15	0,28 (Cx=1)	0,23 (Cx=1)	0,16 (Cx=1)	0,14 (Cx=1)
WN-21	15	0,26 (Cx=1)	0,21 (Cx=1)	0,14 (Cx=1)	x
WN-3	10	0,21 (Cx=1)	0,17 (Cx=1)	x	x

SAL-10,8 wzm code 42479		acceptable windage of luminaires and extension arms [m ²] for Cx=1			
		Vref. = 22 m/s	Vref. = 24 m/s	Vref. = 26 m/s	Vref. = 28 m/s
acceptable mass of luminaires and extension arms [kg]		I zone, II location category	I and III zone, II location category to 450m AMSL	II zone, II location category	III zone, II location category to 755m AMSL
30		0,64	0,52	0,37	0,33



- surface: polished aluminium
- anodising in 10 colours, each with possibility of brightening
- option of powder painting in RAL colours (other colours available on request)
- elastomer protection in the color of the column to a height of 350 mm (other height on request)
- ROSA standard wiring chamber
- packing: sleeve material