

Aluminium column SAL-10,3 wzm

diameter 176 mm at the base plate



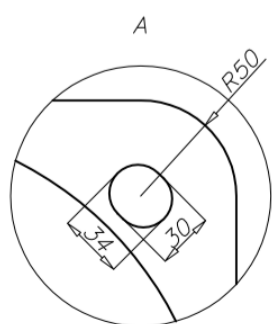
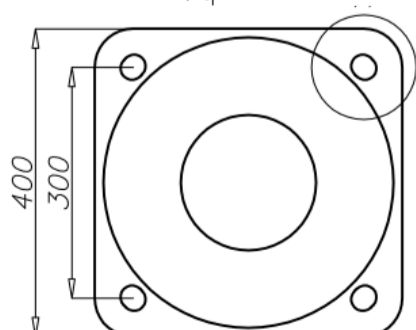
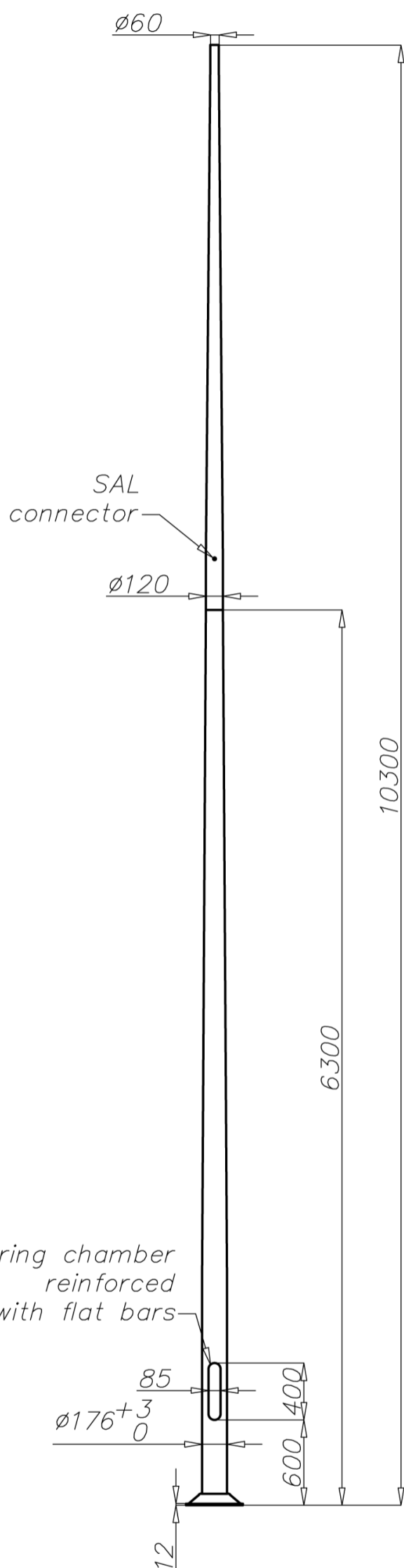
Technical data

Aluminium Column	SAL-10,3 wzm
Product code	42478
Column height H [m]	10,3
Height of the bottom part h1 + E [m]	6,3 + 0,35
Thickness wall of bottom part [mm]	5,2
Height of upper part h2 [m]	4
Thickness wall of upper part [mm]	4
Net weight [kg]	61,1
Volume [m ³]	0,509
Post top column	luminaires with $\varnothing 60$ spigot entry with weight and windage not exceeding data in resistance calculations
Compatible extension arms	according to resistance calculations
Concrete footing / reinforcement basket	B-70 / Z-70
Concrete footing code/reinforcement basket code	311170 / 311207
Hot galvanized nut set /Hot galvanized ripable nut set	4012 / 4013

Resistance calculations

SAL-10,3 wzm code 42478		acceptable windage of single luminaire [m ²] for Cx=0,7			
		Vref. = 22 m/s	Vref. = 24 m/s	Vref. = 26 m/s	Vref. = 28 m/s
extension arm type	acceptable weight of single luminaire	I zone, II location category	I and III zone, II location category to 450m AMSL	II zone, II location category	III zone, II location category to 755m AMSL
WR-1/1	15	0,96	0,78	0,56	0,50
WR-1/2	15	0,42	0,33	0,23	0,20
WR-2/1	15	0,82	0,65	0,46	0,40
WR-2/2	15	0,35	0,27	0,16	0,13
WR-2/3	10	0,27	0,21	0,13	x
WR-3/1	15	0,80	0,62	0,44	0,38
WR-3/2	15	0,34	0,26	0,16	0,13
WR-4/1	15	0,94	0,77	0,55	0,48
WR-4/2	15	0,42	0,33	0,22	0,19
WR-13/1	15	0,79	0,62	0,41	0,34
WR-13/2	15	0,31	0,22	x	x
WR-13/3	10	0,24	0,18	x	x
WR-15/1	15	0,81	0,63	0,43	0,37
WR-15/2	15	0,35	0,26	0,15	x
WR-61	15	0,58	0,39	0,23	0,19
WN-1	15	0,76 (Cx=1)	0,62 (Cx=1)	0,46 (Cx=1)	0,41 (Cx=1)
WN-2	15	0,34 (Cx=1)	0,28 (Cx=1)	0,2 (Cx=1)	0,18 (Cx=1)
WN-21	15	0,32 (Cx=1)	0,26 (Cx=1)	0,18 (Cx=1)	0,16 (Cx=1)
WN-3	10	0,26 (Cx=1)	0,21 (Cx=1)	0,14 (Cx=1)	0,13 (Cx=1)

SAL-10,3 wzm code 42478		acceptable windage of luminaires and extension arms [m ²] for Cx=1			
		Vref. = 22 m/s	Vref. = 24 m/s	Vref. = 26 m/s	Vref. = 28 m/s
acceptable mass of luminaires and extension arms [kg]		I zone, II location category	I and III zone, II location category to 450m AMSL	II zone, II location category	III zone, II location category to 755m AMSL
30		0,75	0,62	0,46	0,41



- surface: polished aluminium
- anodising in 10 colours, each with possibility of brightening
- option of powder painting in RAL colours (other colours available on request)
- elastomer protection in the color of the column to a height of 350 mm (other height on request)
- ROSA standard wiring chamber
- packing: sleeve material