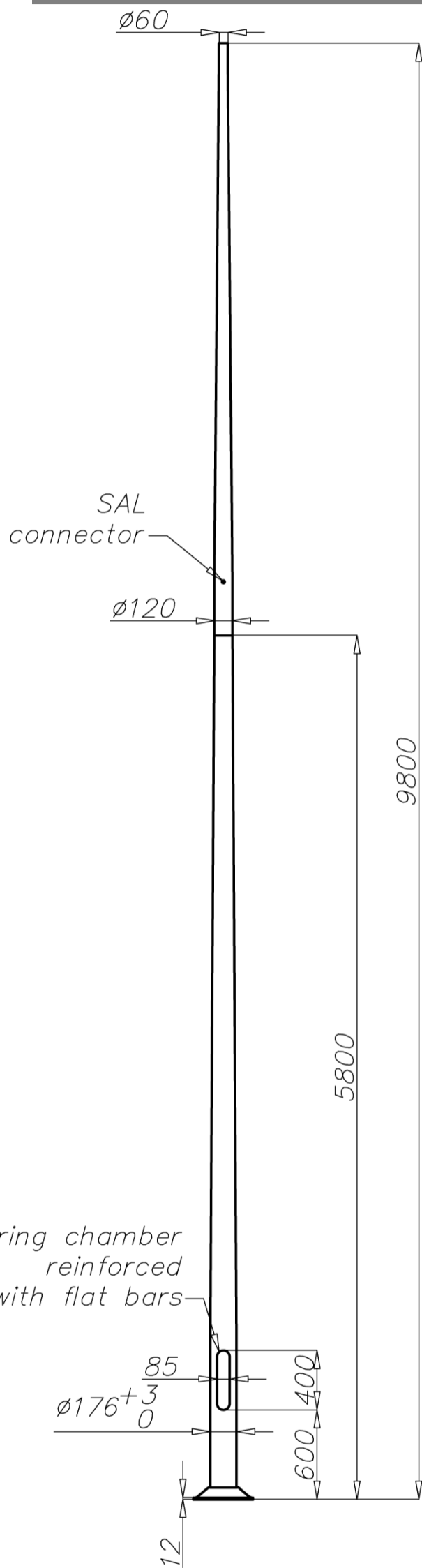


Aluminium column SAL-9,8 wzm

diameter 176 mm at the base plate



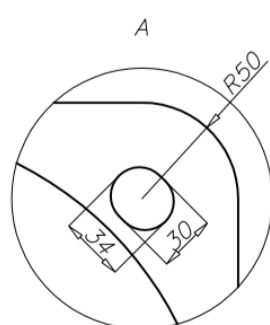
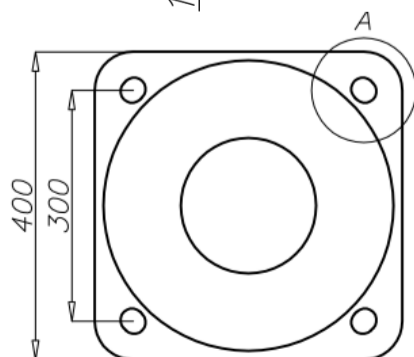
Technical data

Aluminium Column	SAL-9,8 wzm
Product code	42477
Column height H [m]	9,8
Height of the bottom part h1 + E [m]	5,8 + 0,35
Thickness wall of bottom part [mm]	5,2
Height of upper part h2 [m]	4
Thickness wall of upper part [mm]	4
Net weight [kg]	57,2
Volume [m ³]	0,473
Post top column	luminaires with $\varnothing 60$ spigot entry with weight and windage not exceeding data in resistance calculations
Compatible extension arms	according to resistance calculations
Concrete footing / reinforcement basket	B-70 / Z-70
Concrete footing code/reinforcement basket code	311170 / 311207
Hot galvanized nut set / Hot galvanized ripable nut set	4012 / 4013

Resistance calculations

SAL-9,8 wzm code 42477		acceptable windage of single luminaire [m ²] for Cx=0,7			
		Vref. = 22 m/s	Vref. = 24 m/s	Vref. = 26 m/s	Vref. = 28 m/s
extension arm type	acceptable weight of single luminaire	I zone, II location category	I and III zone, II location category to 450m AMSL	II zone, II location category	III zone, II location category to 755m AMSL
WR-1/1	15	1,10	0,91	0,67	0,59
WR-1/2	15	0,49	0,40	0,28	0,24
WR-2/1	15	0,96	0,76	0,54	0,48
WR-2/2	15	0,42	0,33	0,21	0,18
WR-2/3	10	0,33	0,26	0,17	0,14
WR-3/1	15	0,93	0,72	0,52	0,46
WR-3/2	15	0,41	0,32	0,21	0,18
WR-4/1	15	1,08	0,89	0,65	0,58
WR-4/2	15	0,49	0,40	0,28	0,24
WR-13/1	15	0,94	0,75	0,51	0,44
WR-13/2	15	0,39	0,29	0,17	0,14
WR-13/3	10	0,31	0,23	0,13	x
WR-15/1	15	0,95	0,74	0,52	0,46
WR-15/2	15	0,42	0,33	0,21	0,17
WR-61	15	0,70	0,48	0,30	0,25
WN-1	15	0,87 (Cx=1)	0,73 (Cx=1)	0,54 (Cx=1)	0,48 (Cx=1)
WN-2	15	0,39 (Cx=1)	0,33 (Cx=1)	0,24 (Cx=1)	0,21 (Cx=1)
WN-21	15	0,37 (Cx=1)	0,30 (Cx=1)	0,22 (Cx=1)	0,19 (Cx=1)
WN-3	10	0,30 (Cx=1)	0,24 (Cx=1)	0,17 (Cx=1)	0,15 (Cx=1)

SAL-9,8 wzm code 42477		acceptable windage of luminaires and extension arms [m ²] for Cx=1			
		Vref. = 22 m/s	Vref. = 24 m/s	Vref. = 26 m/s	Vref. = 28 m/s
acceptable mass of luminaires and extension arms [kg]		I zone, II location category	I and III zone, II location category to 450m AMSL	II zone, II location category	III zone, II location category to 755m AMSL
30		0,87	0,72	0,54	0,49



- surface: polished aluminium
- anodising in 10 colours, each with possibility of brightening
- option of powder painting in RAL colours (other colours available on request)
- elastomer protection in the color of the column to a height of 350 mm (other height on request)
- ROSA standard wiring chamber
- packing: sleeve material