

# Aluminium column SAL-11,3 wzm

diameter 176 mm at the base plate



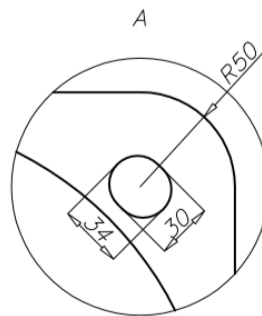
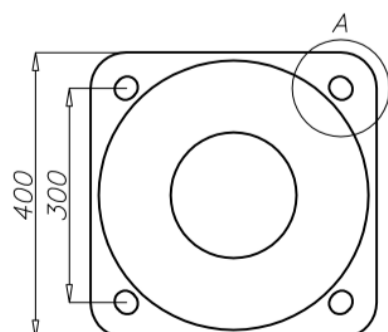
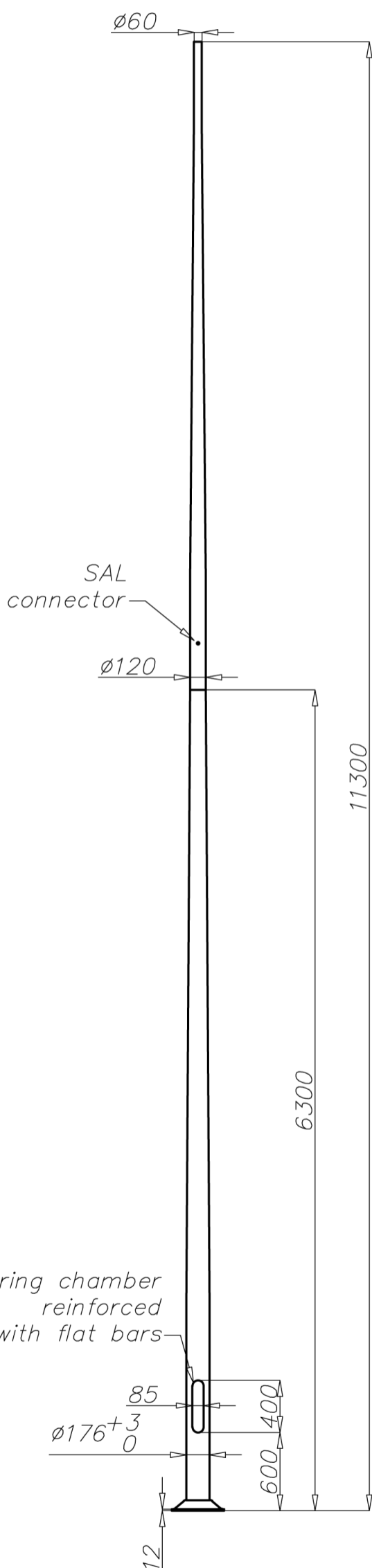
## Technical data

|  |   |
|--|---|
| Aluminium Column                                       | SAL-11,3 wzm  |
| Product code   | 42470   |
| Column height H [m]                                    | 11,3  |
| Height of the bottom part h1 + E [m]                   | 6,3 + 0,35  |
| Thickness wall of bottom part [mm]                     | 5,2   |
| Height of upper part h2 [m]                            | 5   |
| Thickness wall of upper part [mm]                      | 4   |
| Net weight [kg]  | 64,2  |
| Volume [m <sup>3</sup> ]                               | 0,516   |
| Post top column  | luminaires with $\varnothing 60$ spigot entry with weight and windage not exceeding data in resistance calculations |
| Compatible extension arms                              | according to resistance calculations  |
| Concrete footing / reinforcement basket                | B-70 / Z-70   |
| Concrete footing code/reinforcement basket code        | 311170 / 311207   |
| Hot galvanized nut set /Hot galvanized ripable nut set | 4012 / 4013   |

## Resistance calculations

| SAL-11,3 wzm<br>code 42470 |                                       | acceptable windage of single luminaire [m <sup>2</sup> ] for Cx=0,7 |   |                               |   |
|----------------------------|---------------------------------------|---|---|-------------------------------|---|
|                            |                                       | Vref. = 22 m/s  | Vref. = 24 m/s                                    | Vref. = 26 m/s                | Vref. = 28 m/s                              |
| extension arm type         | acceptable weight of single luminaire | I zone, II location category  | I and III zone, II location category to 450m AMSL | II zone, II location category | III zone, II location category to 755m AMSL |
| WR-1/1                     | 15                                    | 0,69  | 0,54  | 0,36                          | 0,31  |
| WR-1/2                     | 15                                    | 0,28  | 0,21  | x                             | x   |
| WR-2/1                     | 15                                    | 0,58  | 0,44  | 0,27                          | 0,22  |
| WR-2/2                     | 15                                    | 0,21  | 0,14  | x                             | x   |
| WR-3/1                     | 15                                    | 0,56  | 0,42  | 0,26                          | 0,21  |
| WR-3/2                     | 15                                    | 0,21  | 0,14  | x                             | x   |
| WR-4/1                     | 15                                    | 0,67  | 0,53  | 0,34                          | 0,29  |
| WR-4/2                     | 15                                    | 0,28  | 0,21  | x                             | x   |
| WR-13/1                    | 15                                    | 0,53  | 0,38  | 0,2                           | 0,15  |
| WR-15/1                    | 15                                    | 0,55  | 0,41  | 0,23                          | 0,18  |
| WR-15/2                    | 15                                    | 0,2   | 0,13  | x                             | x   |
| WR-61                      | 15                                    | 0,36  | 0,23  | x                             | x   |
| WN-1                       | 15                                    | 0,55 (Cx=1)   | 0,44 (Cx=1)                                       | 0,3 (Cx=1)                    | 0,26 (Cx=1)                                 |
| WN-2                       | 15                                    | 0,24 (Cx=1)   | 0,19 (Cx=1)                                       | x                             | x   |
| WN-21                      | 15                                    | 0,22 (Cx=1)   | 0,17 (Cx=1)                                       | x                             | x   |

| SAL-11,3 wzm<br>code 42470                            |  | acceptable windage of luminaires and extension arms [m <sup>2</sup> ] for Cx=1 |   |                               |   |
|---|--|--|---|-------------------------------|---|
|   |  | Vref. = 22 m/s   | Vref. = 24 m/s                                    | Vref. = 26 m/s                | Vref. = 28 m/s                              |
| acceptable mass of luminaires and extension arms [kg] |  | I zone, II location category   | I and III zone, II location category to 450m AMSL | II zone, II location category | III zone, II location category to 755m AMSL |
| 30  |  | 0,54   | 0,43  | 0,30                          | 0,26  |



- surface: polished aluminium
- anodising in 10 colours, each with possibility of brightening
- option of powder painting in RAL colours (other colours available on request)
- elastomer protection in the color of the column to a height of 350 mm (other height on request)
- ROSA standard wiring chamber
- packing: sleeve material