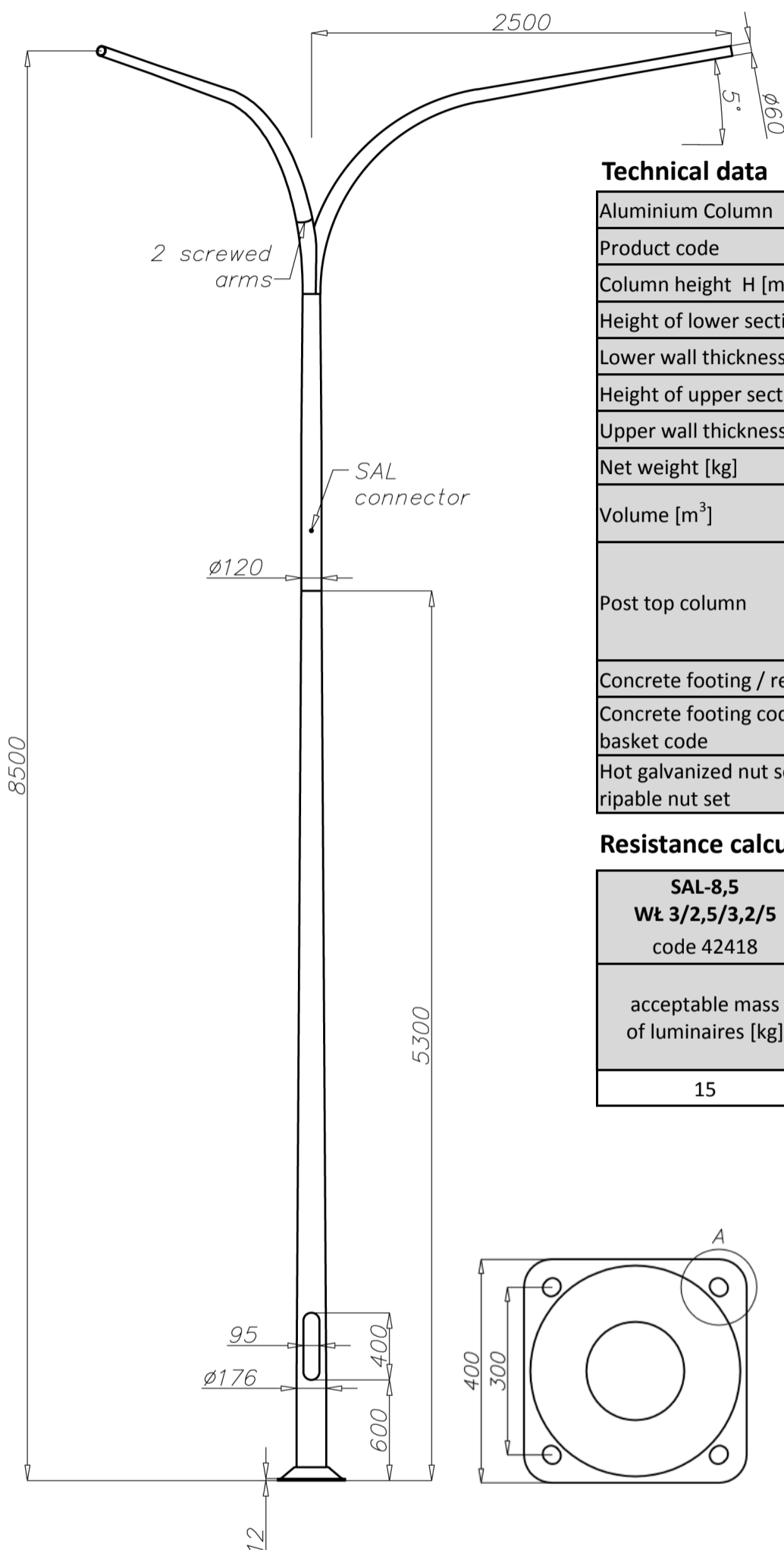


# Aluminium column SAL-8,5 WŁ 3/2,5/3,2/5

diameter 176 mm at the base plate

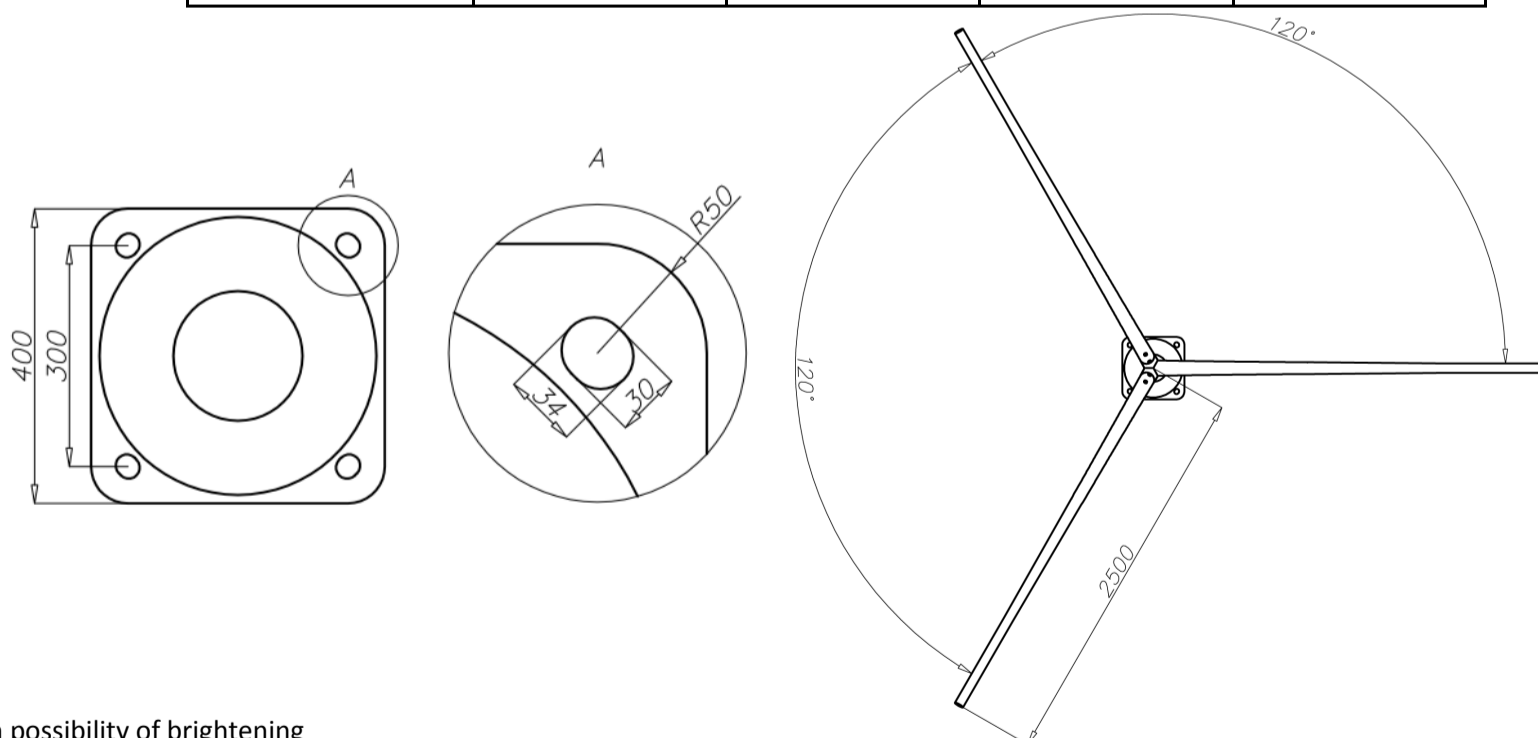


## Technical data

Aluminium Column		SAL-8,5 WŁ 3/2,5/3,2/5
Product code		42418
Column height H [m]		8,5
Height of lower section h1 + E [m]		5,3 + 0,35
Lower wall thickness [mm]		4,3
Height of upper section h2 [m]		3,2
Upper wall thickness [mm]		4
Net weight [kg]		65,8
Volume [m <sup>3</sup> ]		1,39
Post top column	luminaires with Ø60 spigot entry with weight and windage not exceeding data in resistance calculations	
Concrete footing / reinforcement basket	B-70 / Z-70	
Concrete footing code/reinforcement basket code	311170 / 311207	
Hot galvanized nut set / Hot galvanized ripable nut set	4012 / 4013	

## Resistance calculations

SAL-8,5 WŁ 3/2,5/3,2/5 code 42418	acceptable windage of single luminaire [m <sup>2</sup> ] for Cx=0,7			
	Vref. = 22 m/s	Vref. = 24 m/s	Vref. = 26 m/s	Vref. = 28 m/s
acceptable mass of luminaires [kg]	I zone, III location category	I and III zone, III location category to 450m AMSL	II zone, III location category	III zone, III location category to 755m AMSL
15	0,27	0,19	x	x



- surface: polished aluminium
- anodising in 10 colours, each with possibility of brightening
- option of powder painting in RAL colours (other colours available on request)
- elastomer protection in the color of the column to a height of 350 mm (other height on request)
- ROSA standard wiring chamber
- packing: sleeve material
- passive safety certificate 100NE2