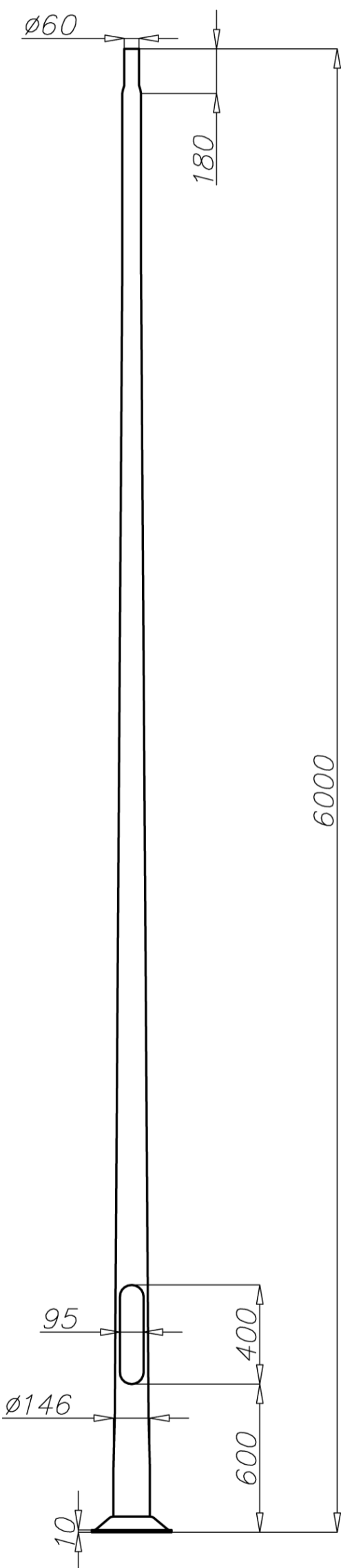


# Aluminium column SAL-60

diameter 146 mm at the base plate



## Technical data

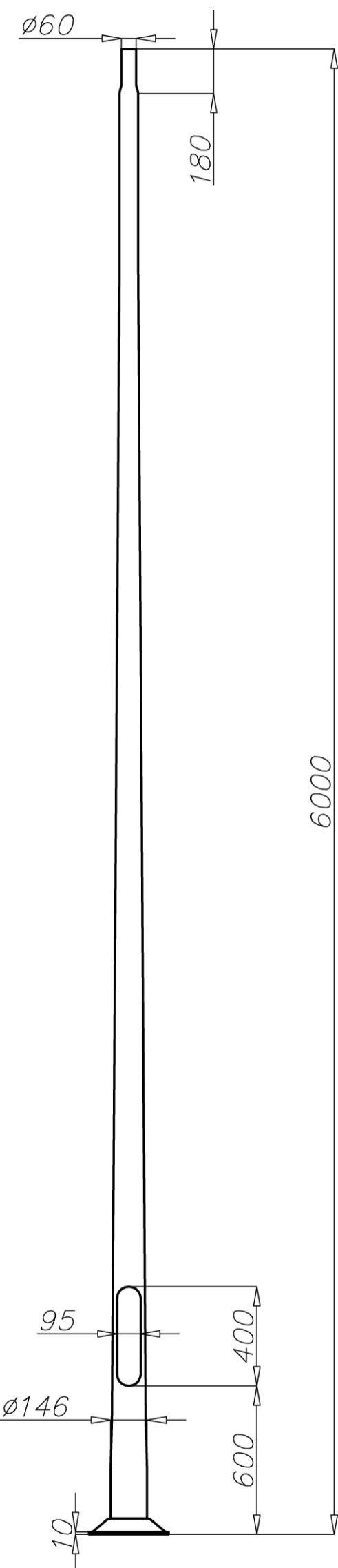
Aluminium Column	SAL-60
Product code	42313
Column height H [m]	6
Wall thickness [mm]	4,2
Net weight [kg]	25,4
Volume [m <sup>3</sup> ]	0,265
Post top column	luminaires with Ø60 spigot entry with weight and windage not exceeding data in resistance calculations
Compatible extension arms	according to resistance calculations
Concrete footing / reinforcement basket	B-60 / Z-60
Concrete footing code/reinforcement basket code	311160 / 311206
Hot galvanized nut set /Hot galvanized ripable nut set	4008 / 4009

## Resistance calculations

SAL-60 code 42313		acceptable windage of single luminaire [m <sup>2</sup> ] for C <sub>x</sub> =0,7			
		Vref. = 22 m/s	Vref. = 24 m/s	Vref. = 26 m/s	Vref. = 28 m/s
extension arm type	acceptable weight of single luminaire	I zone, II location category	I and III zone, II location category to 450m AMSL	II zone, II location category	III zone, II location category to 755m AMSL
WA-01	10	0,86	0,69	0,48	0,42
WA-1	10	0,88	0,71	0,5	0,44
WA-2	10	0,71	0,56	0,37	0,31
WA-4	10	0,6	0,46	0,29	0,23
WA-5/1	10	0,63	0,51	0,35	0,29
WA-5/2	8	0,25	0,18	x	x
WA-8/1	10	0,71	0,56	0,37	0,31
WA-8/2	8	0,25	0,18	x	x
WA-11/1	10	0,7	0,56	0,37	0,32
WA-11/2	8	0,28	0,20	x	x
WA-14/1	10	0,72	0,58	0,4	0,34
WA-14/2	8	0,29	0,21	x	x
WA-15/1 P	10	0,75	0,61	0,42	0,36
WA-15/1 U	15	0,54	0,43	0,27	0,22
WA-15/2	8/15	0,24	0,17	x	x
WA-20/1	10	0,43	0,32	0,17	0,13
WR-1/1	15	0,79	0,66	0,46	0,40
WR-1/2	15	0,34	0,27	0,17	0,15
WR-2/1	15	0,56	0,46	0,31	0,27
WR-2/2	15	0,27	0,20	x	x
WR-2/3	15	0,19	0,14	x	x
WR-3/1	15	0,52	0,42	0,29	0,25
WR-3/2	15	0,26	0,20	x	x
WR-3/3	15	0,19	0,14	x	x

# Aluminium column SAL-60

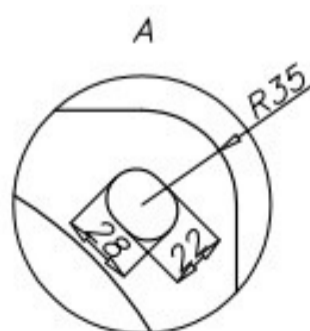
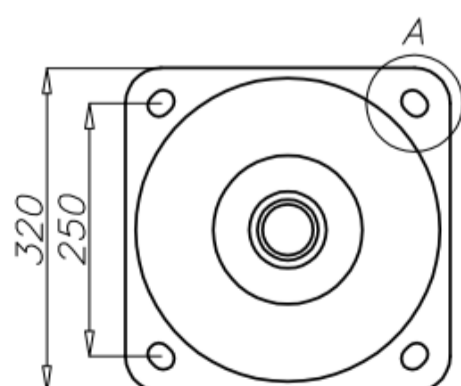
diameter 146 mm at the base plate



## Resistance calculations

SAL-60 code 42313		acceptable windage of single luminaire [m <sup>2</sup> ] for C <sub>x</sub> =0,7			
		Vref. = 22 m/s	Vref. = 24 m/s	Vref. = 26 m/s	Vref. = 28 m/s
extension arm type	acceptable weight of single luminaire	I zone, II location category	I and III zone, II location category to 450m AMSL	II zone, II location category	III zone, II location category to 755m AMSL
WR-4/1	15	0,73	0,61	0,44	0,38
WR-4/2	15	0,34	0,27	0,17	0,15
WR-5A/1	15	0,58	0,47	0,32	0,27
WR-5A/2	15	0,24	0,18	x	x
WR-6A/1	15	0,7	0,57	0,39	0,34
WR-8A/1	15	0,59	0,48	0,33	0,28
WR-13/1	15	0,58	0,46	0,3	0,26
WR-13/2	15	0,24	0,17	x	x
WR-13/3	15	0,17	x	x	x
WR-14/1	15	0,47	0,37	0,25	0,21
WR-14/2	15	0,18	0,14	x	x
WR-14/1/1,5/5	15	0,35	0,27	0,19	0,13
WR-15/1	15	0,56	0,45	0,3	0,26
WR-15/2	15	0,28	0,20	x	x
WR-18	15	0,31	0,23	x	x
WR-31	15	0,26	0,17	x	x
WR-61	15	0,32	0,23	x	x
WR-T1/1,5	15	0,37	0,28	0,19	0,14
WN-1	15	0,64 (C <sub>x</sub> =1)	0,52 (C <sub>x</sub> =1)	0,37 (C <sub>x</sub> =1)	0,33 (C <sub>x</sub> =1)
WN-2	15	0,29 (C <sub>x</sub> =1)	0,23 (C <sub>x</sub> =1)	0,16 (C <sub>x</sub> =1)	0,14 (C <sub>x</sub> =1)
WN-21	15	0,27 (C <sub>x</sub> =1)	0,22 (C <sub>x</sub> =1)	0,15 (C <sub>x</sub> =1)	0,13 (C <sub>x</sub> =1)

SAL-60 code 42313		acceptable windage of luminaires and extension arms [m <sup>2</sup> ] for C <sub>x</sub> =1			
		Vref. = 22 m/s	Vref. = 24 m/s	Vref. = 26 m/s	Vref. = 28 m/s
acceptable mass of luminaires and extension arms [kg]		I zone, II location category	I and III zone, II location category to 450m AMSL	II zone, II location category	III zone, II location category to 755m AMSL
30		0,66	0,54	0,40	0,35



- surface: polished aluminium
- anodising in 10 colours, each with possibility of brightening
- option of powder painting in RAL colours (other colours available on request)
- elastomer protection in the color of the column to a height of 350 mm (other height on request)
- ROSA standard wiring chamber
- packing: sleeve material
- passive safety certificate 100NE2