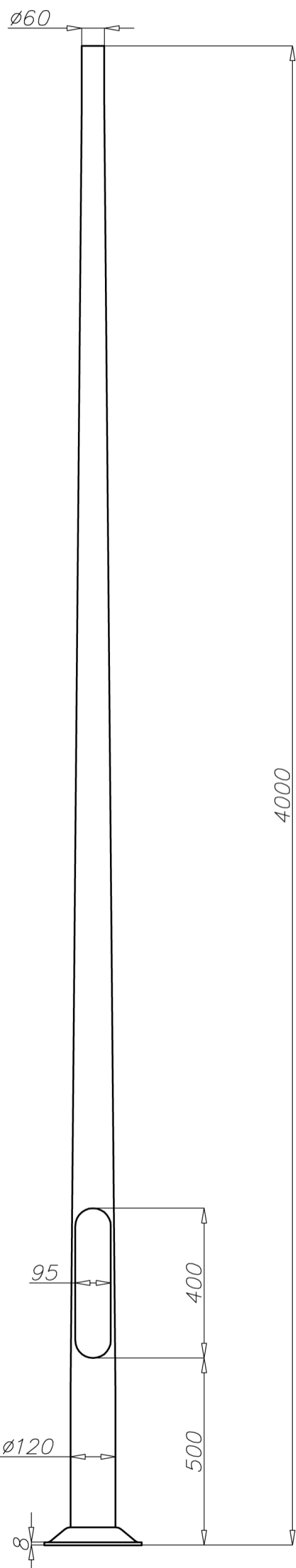


Aluminium column SAL-4E

diameter 120 mm at the base plate



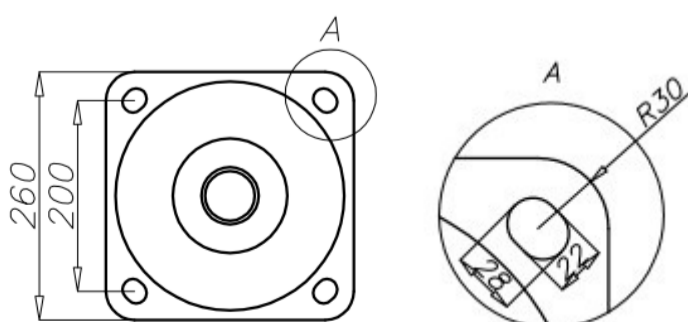
Technical data

Aluminium Column	SAL-4E
Product code	42217
Column height H [m]	4
Wall thickness [mm]	4
Net weight [kg]	14,3
Volume [m ³]	0,116
Post top column	luminaires with $\varnothing 60$ spigot entry with weight and windage not exceeding data in resistance calculations
Compatible extension arms	according to resistance calculations
Concrete footing / reinforcement basket	B-51 / Z-51
Concrete footing code/reinforcement basket code	311151 / 311251
Hot galvanized nut set /Hot galvanized ripable nut set	4008 / 4009

Resistance calculations

SAL-4E code 42217		acceptable windage of single luminaire [m ²] for C _x =0,7			
		Vref. = 22 m/s	Vref. = 24 m/s	Vref. = 26 m/s	Vref. = 28 m/s
extension arm type	acceptable weight of single luminaire	I zone, II location category	I and III zone, II location category to 450m ASML	II zone, II location category	III zone, II location category to 755m ASML
WA-01	10	0,87	0,72	0,52	0,46
WA-1	10	0,9	0,74	0,54	0,48
WA-2	10	0,69	0,56	0,39	0,33
WA-4	10	0,57	0,45	0,29	0,25
WA-5/1	10	0,43	0,35	0,24	0,21
WA-5/2	8	0,25	0,18	x	x
WA-8/1	10	0,52	0,42	0,29	0,25
WA-8/2	8	0,26	0,19	x	x
WA-11/1	10	0,48	0,38	0,25	0,21
WA-11/2	8	0,31	0,22	x	x
WA-14/1	10	0,51	0,41	0,28	0,24
WA-14/2	8	0,31	0,23	0,13	x
WA-15/1 P	10	0,53	0,43	0,29	0,25
WR-1/1	15	0,48	0,40	0,29	0,26
WR-4/1	15	0,43	0,36	0,26	0,23
WN-1	15	0,65 (C _x =1)	0,55 (C _x =1)	0,41 (C _x =1)	0,36 (C _x =1)
WN-2	8	0,32 (C _x =1)	0,27 (C _x =1)	0,2 (C _x =1)	0,18 (C _x =1)

SAL-4E code 42217		acceptable windage of luminaires and extension arms [m ²] for C _x =1			
		Vref. = 22 m/s	Vref. = 24 m/s	Vref. = 26 m/s	Vref. = 28 m/s
acceptable mass of luminaires and extension arms [kg]		I zone, II location category	I and III zone, II location category to 450m ASML	II zone, II location category	III zone, II location category to 755m ASML
20		0,73	0,62	0,47	0,42



- surface: polished aluminium
- anodising in 10 colours, each with possibility of brightening
- option of powder painting in RAL colours (other colours available on request)
- elastomer protection in the color of the column to a height of 350 mm (other height on request)
- ROSA standard wiring chamber
- packing: sleeve material
- passive safety certificate 100NE2