

Aluminium column SAL-2,5/B60

diameter 114 mm at the base plate



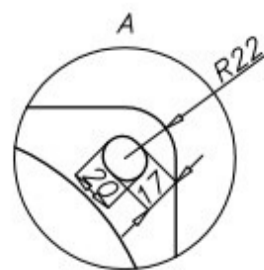
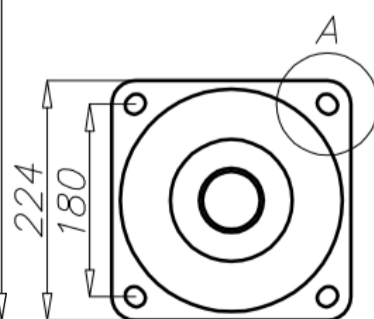
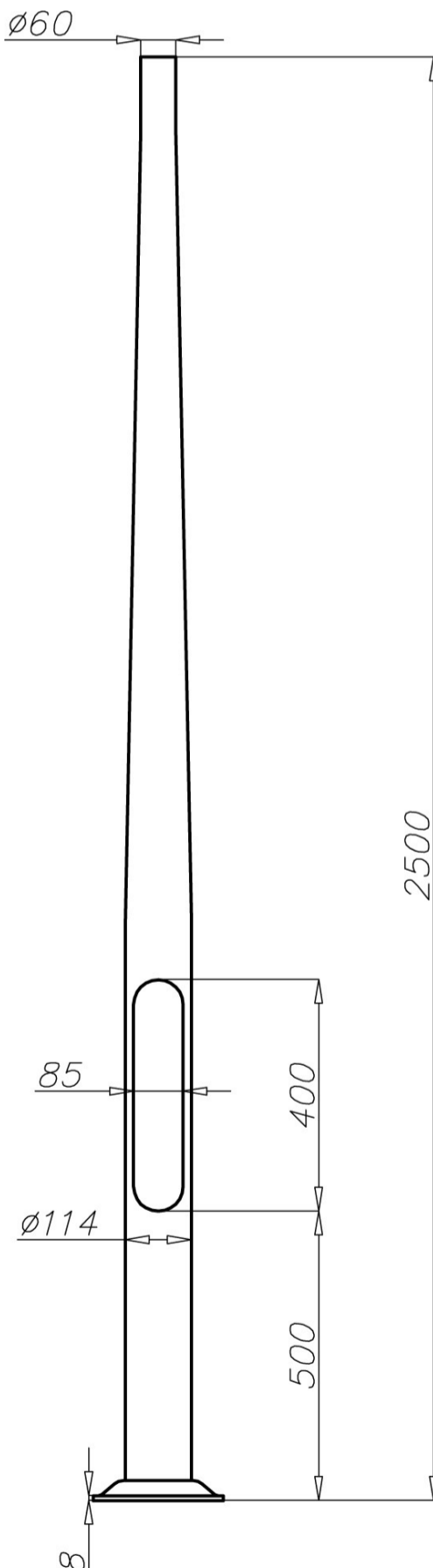
Technical data

Aluminium Column	SAL-2,5/B60
Product code	42126
Column height H [m]	2,5
Wall thickness [mm]	3,0
Net weight [kg]	7,1
Volume [m ³]	0,056
Post top column	luminaires with $\varnothing 60$ spigot entry with weight and windage not exceeding data in resistance calculations
Compatible extension arms	according to resistance calculations
Concrete footing / reinforcement basket	B-50 / Z-50
Concrete footing code/reinforcement basket code	311150 / 311205
Hot galvanized nut set /Hot galvanized ripable nut set	4006 / 4007

Resistance calculations

SAL-2,5/B60 code 42126		acceptable windage of single luminaire [m ²] for Cx=0,7			
		Vref. = 22 m/s	Vref. = 24 m/s	Vref. = 26 m/s	Vref. = 28 m/s
extension arm type	acceptable weight of single luminaire	I zone, II location category	I and III zone, II location category to 450 m AMSL	II zone, II location category	III zone, II location category to 755 m AMSL
WA-01	10	1,54	1,33	1,1	0,96
WA-1	10	1,54	1,34	1,11	0,96
WA-2	10	1,47	1,26	1,03	0,88
WA-4	10	1,26	1,07	0,87	0,74
WA-8/1	10	0,79	0,67	0,54	0,45
WA-11/1	10	0,76	0,64	0,51	0,43
WA-14/1	10	0,79	0,67	0,54	0,46

SAL-2,5/B60 code 42126		acceptable windage of luminaires and extension arms [m ²] for Cx=1			
		Vref. = 22 m/s	Vref. = 24 m/s	Vref. = 26 m/s	Vref. = 28 m/s
acceptable mass of luminaires and extension arms [kg]		I zone, II location category	I and III zone, II location category to 450 m AMSL	II zone, II location category	III zone, II location category to 755 m AMSL
20		1,42	1,24	1,04	0,92



- surface: polished aluminium
- anodising in 10 colours, each with possibility of brightening
- option of powder painting in RAL colours (other colours available on request)
- elastomer protection in the color of the column to a height of 350 mm (other height on request)
- ROSA standard wiring chamber
- packing: sleeve material
- passive safety certificate 100NE2