

Aluminium column SAL-3/B60

diameter 114 mm at the base plate



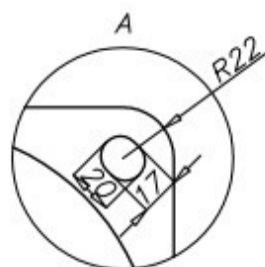
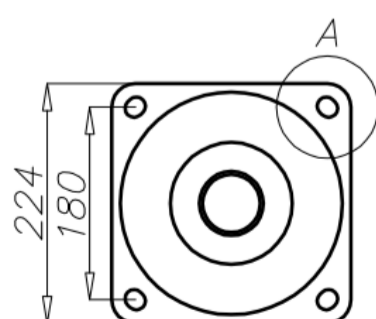
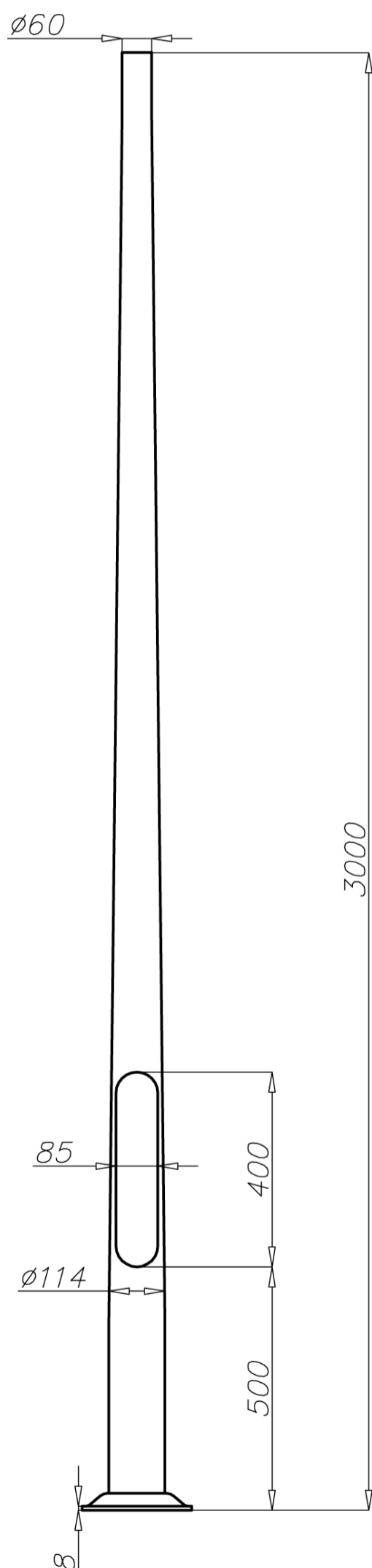
Technical data

Aluminium Column	SAL-3/B60
Product code	42120
Column height H [m]	3,0
Wall thickness [mm]	3,0
Net weight [kg]	8,3
Volume [m ³]	0,067
Post top column	luminaires with $\varnothing 60$ spigot entry with weight and windage not exceeding data in resistance calculations
Compatible extension arms	according to resistance calculations
Concrete footing / reinforcement basket	B-50 / Z-50
Concrete footing code/reinforcement basket code	311150 / 311205
Hot galvanized nut set /Hot galvanized ripable nut set	4006 / 4007

Resistance calculations

SAL-3/B60 code 42120		acceptable windage of single luminaire [m ²] for C _x =0,7			
		Vref. = 22 m/s	Vref. = 24 m/s	Vref. = 26 m/s	Vref. = 28 m/s
extension arm type	acceptable weight of single luminaire	I zone, II location category	I and III zone, II location category to 450 m AMSL	II zone, II location category	III zone, II location category to 755 m AMSL
WA-01	10	0,96	0,81	0,6	0,55
WA-1	10	0,99	0,83	0,63	0,57
WA-2	10	0,72	0,6	0,43	0,38
WA-4	10	0,58	0,48	0,33	0,28
WA-8/1	10	0,47	0,38	0,26	0,23
WA-11/1	10	0,43	0,35	0,23	0,20
WA-14/1	10	0,47	0,38	0,26	0,23

SAL-3/B60 code 42120		acceptable windage of luminaires and extension arms [m ²] for C _x =1			
		Vref. = 22 m/s	Vref. = 24 m/s	Vref. = 26 m/s	Vref. = 28 m/s
acceptable mass of luminaires and extension arms [kg]		I zone, II location category	I and III zone, II location category to 450 m AMSL	II zone, II location category	III zone, II location category to 755 m AMSL
20		0,83	0,78	0,56	0,51



- surface: polished aluminium
- anodising in 10 colours, each with possibility of brightening
- option of powder painting in RAL colours (other colours available on request)
- elastomer protection in the color of the column to a height of 350 mm (other height on request)
- ROSA standard wiring chamber
- packing: sleeve material
- passive safety certificate 100NE2