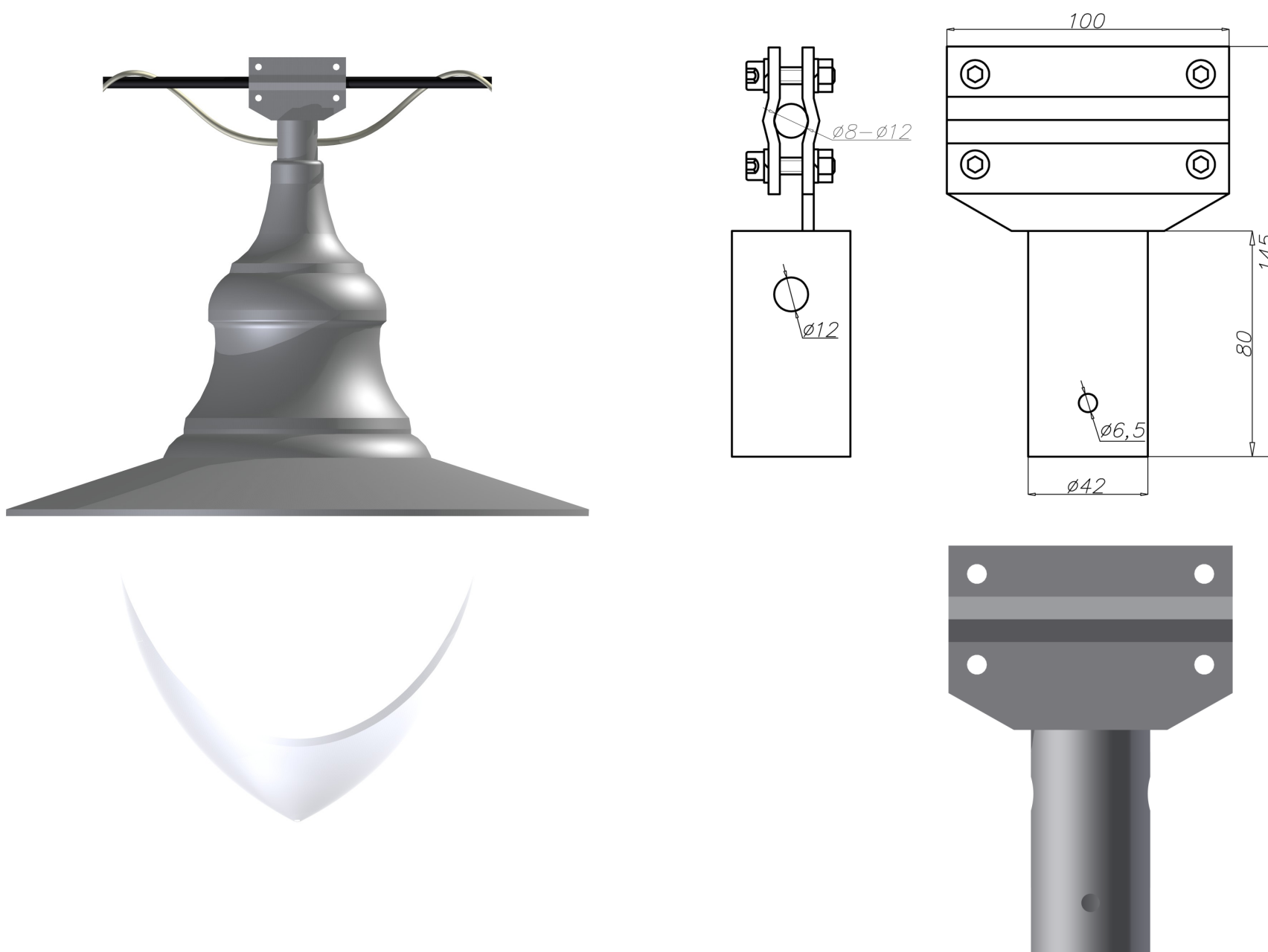


# Aluminium extension arm WA-0



## Technical data

Extension arm	Uchwyt WA -0
Product code	40270
Application	mounting on load-bearing catenary wires
Arm quantity	1
Net weight [kg]	0,4
Windage [m <sup>2</sup> ]	-
Volume [m <sup>3</sup> ]	0,001
Assembling diameter of luminaire Ø [mm]	Ø 42
Compatible luminaires	OW, DROP

- anodising in 10 colours, each with possibility of brightening
- option of powder painting in RAL colours (other colours available on request)
- packing: sleeve material