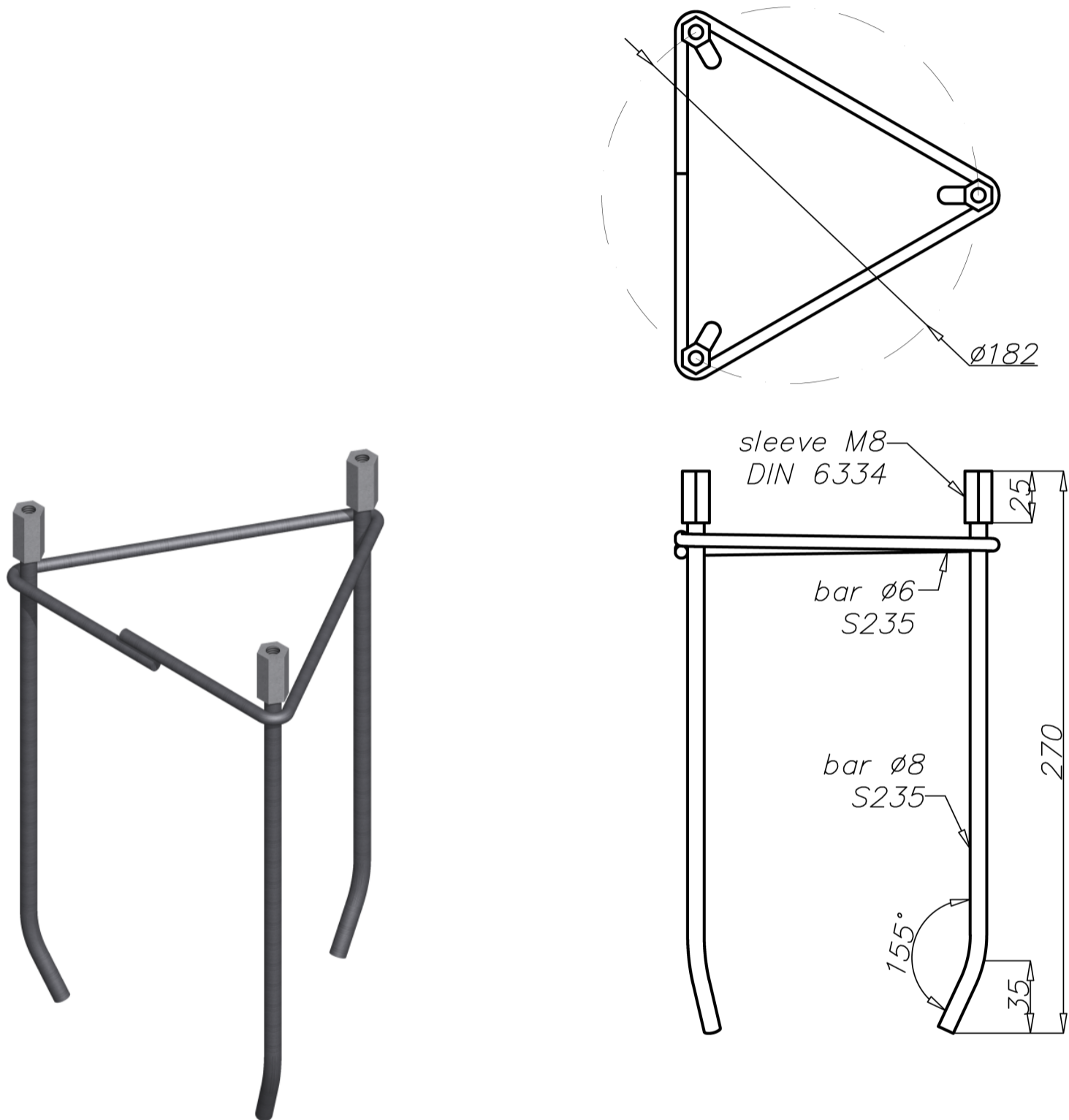


Reinforcement basket Z-12



Technical data

Reinforcement basket	Z-12
Code	311212
Weight [kg]	0,5
Hot galvanized nut set	M8x25 geomet DIN 6921
Application	for mounting Sop KW 1200-2100