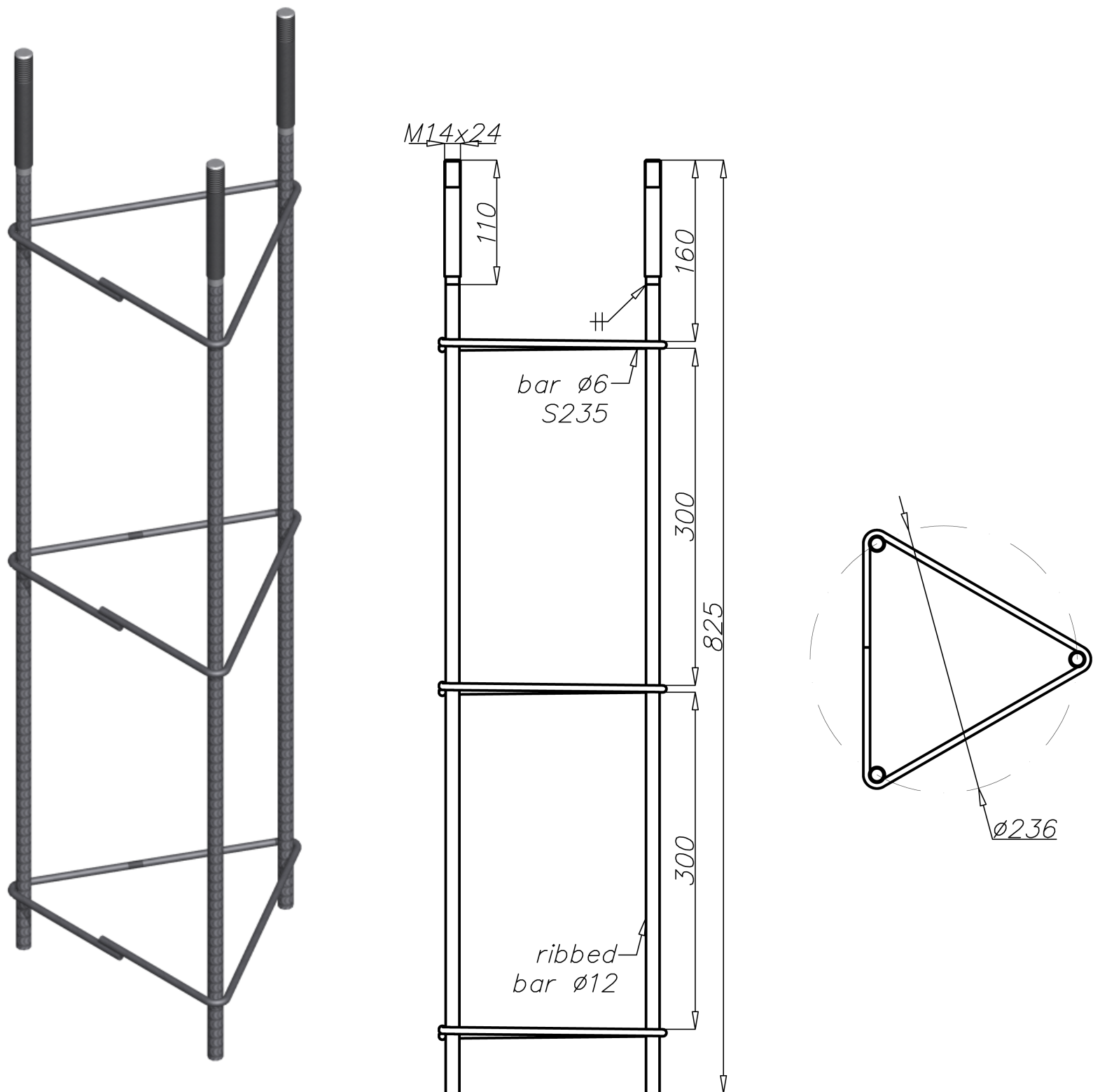


Reinforcement basket Z-30



Technical data

Reinforcement basket	Z-30
Code	311203
Weight [kg]	2,78
Hot galvanized nut set	311003
Application	for mounting S-21, S-21W, S-22, S-30, S-30W, S-31, S-31W, S-32