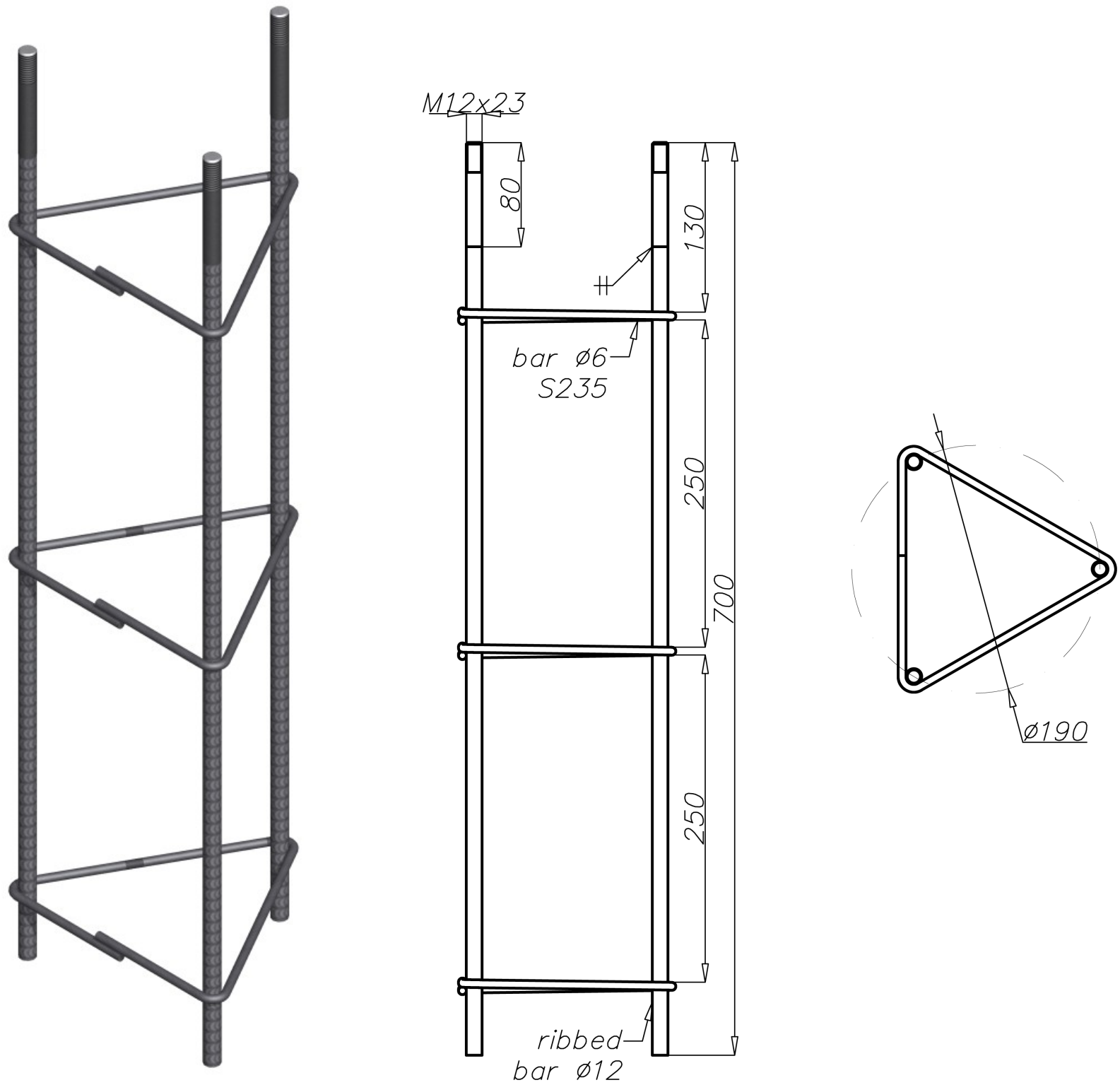


Reinforcement basket Z-20



Technical data

Reinforcement basket	Z-20
Code	311202
Weight [kg]	2,21
Hot galvanized nut set	311002
Application	for mounting S-13, S-23, SP-2