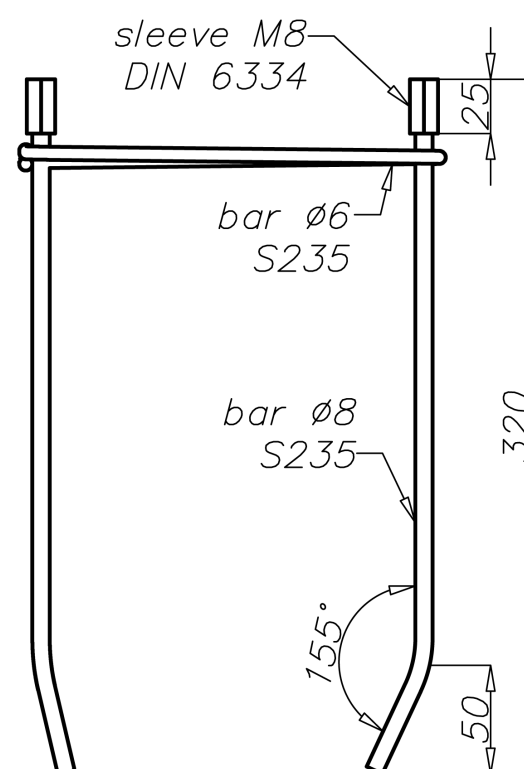
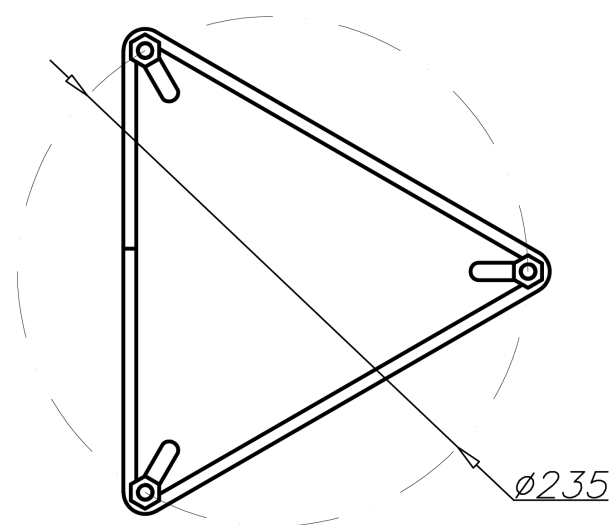


Reinforcement basket Z-1



Technical data

Reinforcement basket	Z-1
Code	311201
Weight [kg]	0,6
Hot galvanized nut set	M8x50 geomet DIN 6921
Application	for mounting SO 618, 621